

## WELL DRILLING HAMMERS

# WH4 HP TD40 2 3/8" API REG

Hammer 110 mm (4 3/8") - 127 mm (5") diameter holes

The new HP version features a heavier piston, lower air consumption, and an improved ROP

- Optimum performance at medium to high pressures ranging up to 35 bar (508 psi)
- Standard 2 3/8" API reg. pin backhead
- TD40 bit shank fitting

### Component parts

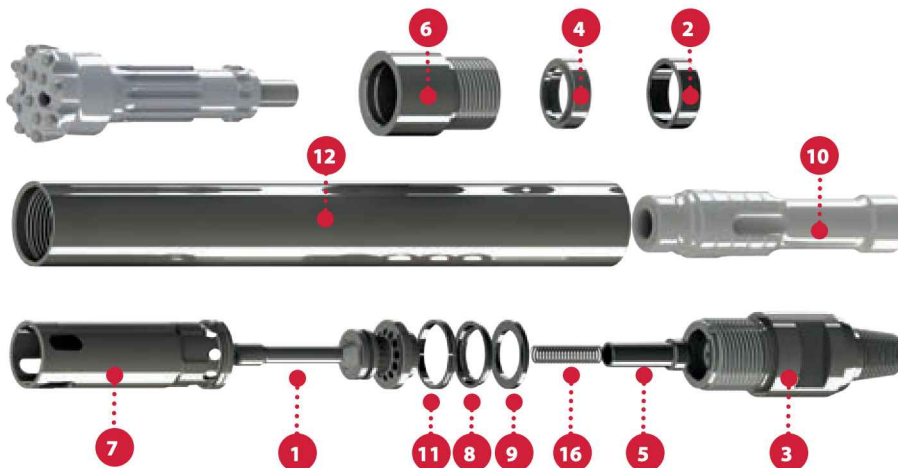
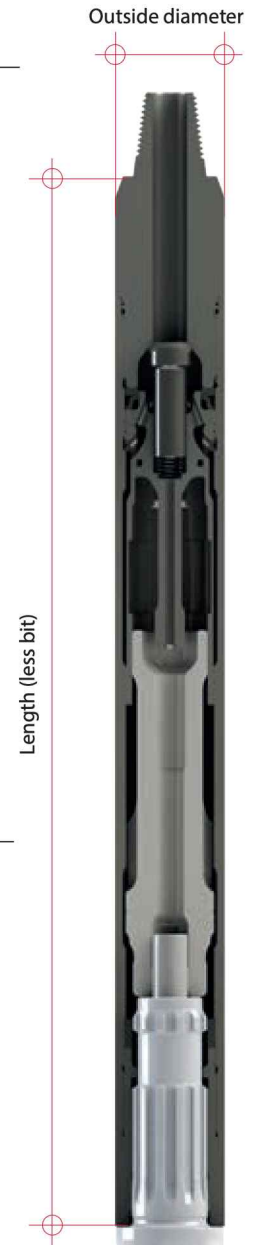
Ref	Description	Part number
1	Air feed tube 4" TD40	08-004-0550
2	Aligner 4" TD40	08-004-0551
3	Backhead API 2 3/8" TD40	08-004-0545
4	Bit retaining ring 4" TD40	08-004-0546
5	Check valve 4" TD40	08-004-0552
6	Chuck 4" TD40	08-004-0547
7	Inner cylinder 4" TD40	2002079
8	Lock ring 4" TD40	08-004-0554
9	Make-up ring 4" TD40	08-004-0555
10	Piston 4" TD40	2002199
11	Seating ring 4" TD40	08-004-0556
12	Wear Sleeve 4" TD40	08-004-0549
13	4" air feed tube O-ring	06M-00-0541
14	4" backhead O-ring	06M-00-0542
15	4" seating O-ring	06M-00-0543
16	Spring	06J-25-0544
	<b>Complete Hammer</b>	<b>08-004-0557</b>

### Air consumption

PSI	BAR	m <sup>3</sup> /min	ft <sup>3</sup> /min
100	6.9	2.83	100
150	10.3	5.38	190
200	13.8	7.79	275
250	17.2	9.20	370
300	20.7	10.48	470
350	24.2	15.86	560
400	27.6	18.41	650
450	31.0	20.95	740
500	34.5	23.50	830

### Hammer specification

	Imperial	Metric
Weight (less bit)	106.4 lbs	39,7 kg
Length (less bit)	37.6"	956 mm
Outside dia.	3.94"	100 mm
Piston weight	19.8 lbs	7,4 kg



**Robit** WH4

Further. Faster.

Further. Faster.