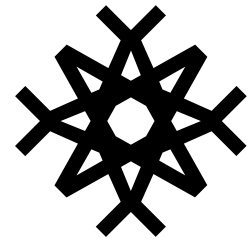



WATER-POWERED DRILLING

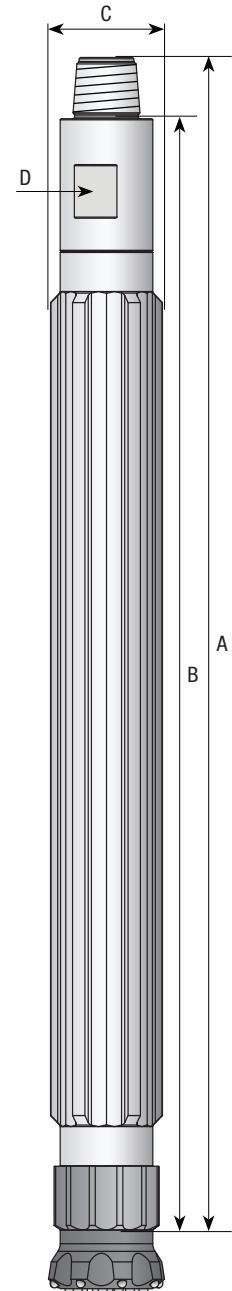
TECHNICAL SPECIFICATION: W200 HAMMER



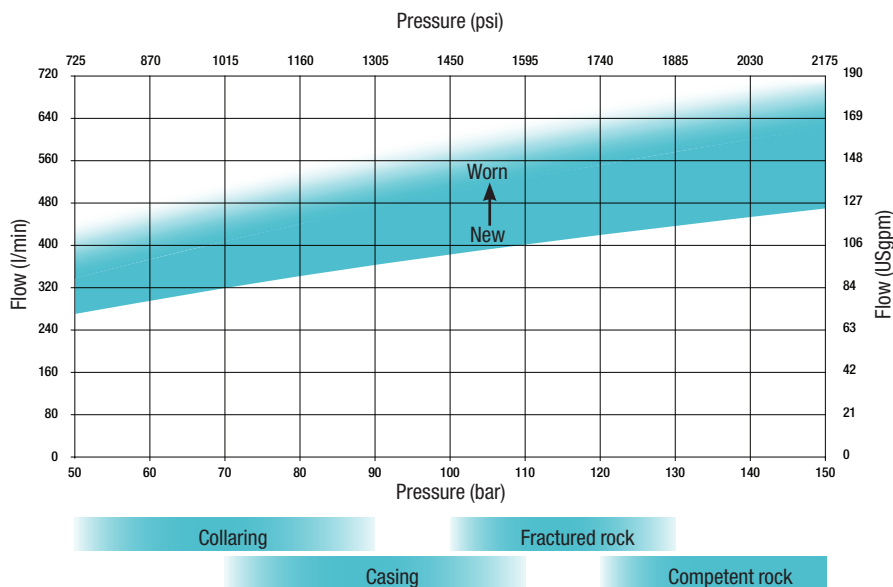
wassara

The Wassara technology uses water to power the DTH hammer. This makes it the ideal choice for drilling in sensitive areas as well as for drilling long straight holes. The water-powered hammer is capable of penetrating almost any formation while maintaining speed and accuracy.

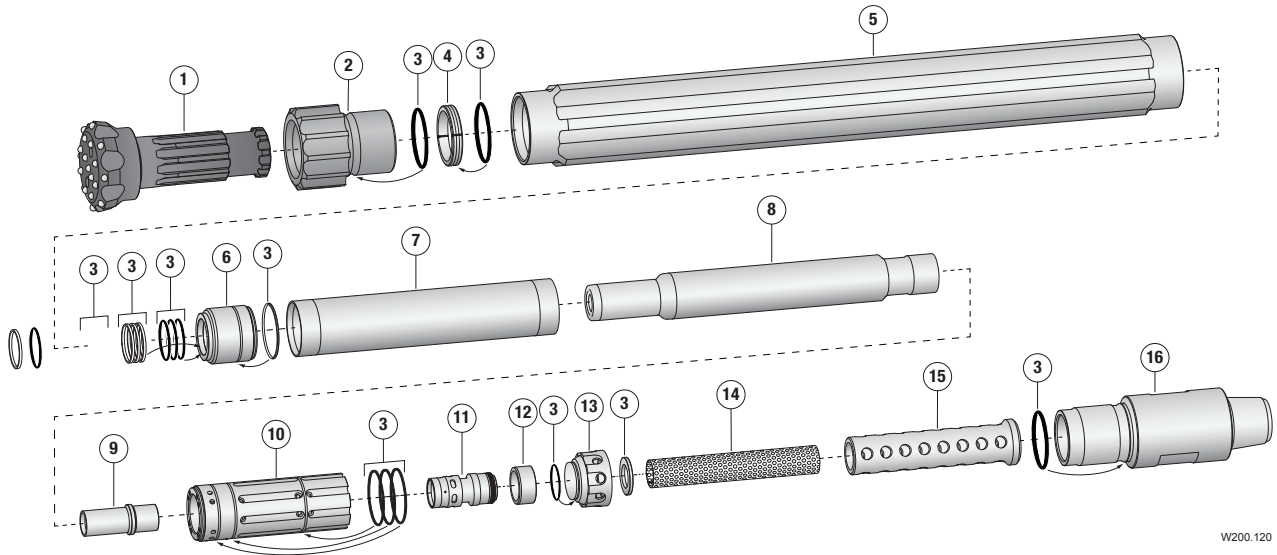
Technical specifications – W200.120	
Length A	2 225 mm (87.6")
Length B	2 055 mm (80.9")
Diameter C	Ø 210 / 248 mm (8.3 / 9.8")
Size D 	160 mm (6.3")
Weight (excl. drill bit)	347 kg (765 lbs) / 385 kg (849 lbs)
Bit diameter	Ø 216 / 254 mm (8.5 / 10")
Operating pressure interval	50 - 150 bar (725 - 2 175 psi)
Water consumption interval	280 - 744 l/min (70 - 197 USgpm) new to worn
Frequency at maximum operating pressure	30 Hz (1 800 blows/min)
Feed force, formation dependant	30 000 N (6 750 lbf)
Rotation speed, formation dependant	25 - 50 rpm
Rotation torque, formation dependant	3 000 - 5 000 Nm (2 200 - 3 660 lbf-ft)
Drill rod	Wassara Drill rod Ø 168 / 194 mm (6.6 / 7.6"), Thread API 4½" IF
Recommended water pump	WASP200D / WASP200E VSD 800 l/min (211 USgpm) @ 160 bar (2 320 psi)
Bit shank	Wassara 380



WATER PRESSURE/FLOW CHART



PARTS LIST: W200.120



W200.120

Pos	Detail	Part no
	Hammer W200, Ø 210 mm	1501396-210
	Hammer W200, Ø 248 mm	1501396-248
1	Drill bit Ø 216 mm, Convex SB	3000079
	Drill bit Ø 254 mm, Convex SB	3000085
2	Chuck	1500225
3	Seal kit	1, 2 1003154
4	Bit retainer	1002882
5	Hammer case Ø 210 mm	1500833-210
	Hammer case Ø 248 mm	1500833-248
6	Piston bushing	1, 2 1501379
7	Inner tube	1500101

Pos	Detail	Part no
8	Piston	1, 2 1501380
9	Sliding case	1000570
10	Valve house	2 0013019
11	Valve	2 0023020
12	Sleeve	0043023
13	Guided lid	1500159
14	Filter	1, 2 1001658
15	Filter support	1001391
16	Backhead API 4 1/2" IF	1500223

<i>Spare part kit 1</i>	1003155
<i>Spare part kit 2</i>	1003156

1400095, W200.120 product data sheet, 2017.01. All specifications can be changed without notice.