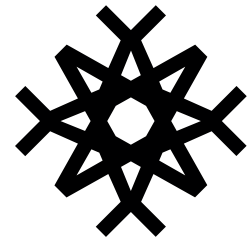



WATER-POWERED DRILLING

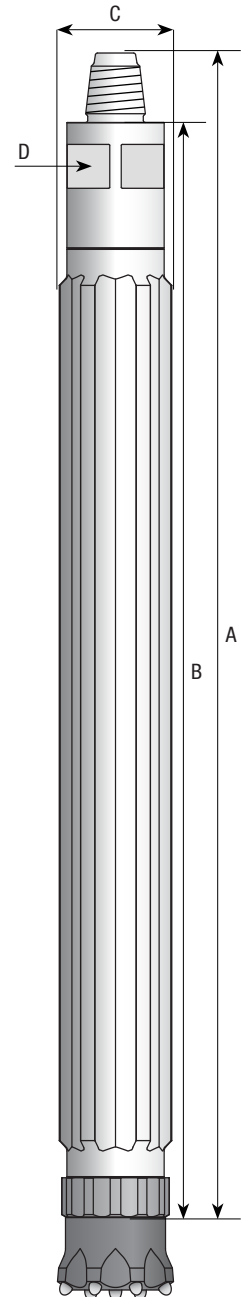
TECHNICAL SPECIFICATION: W150 HAMMER



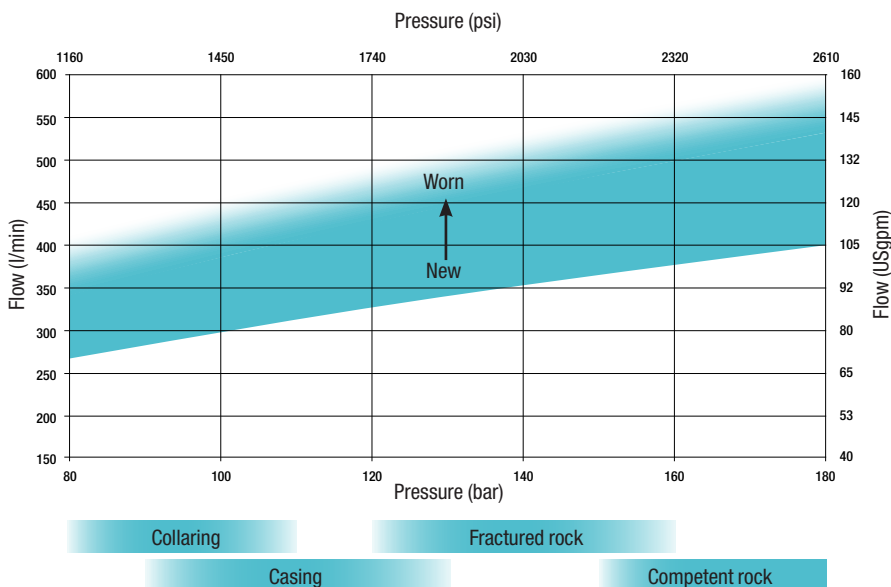
wassara

The Wassara technology uses water to power the DTH hammer. This makes it the ideal choice for drilling in sensitive areas as well as for drilling long straight holes. The water-powered hammer is capable of penetrating almost any formation while maintaining speed and accuracy.

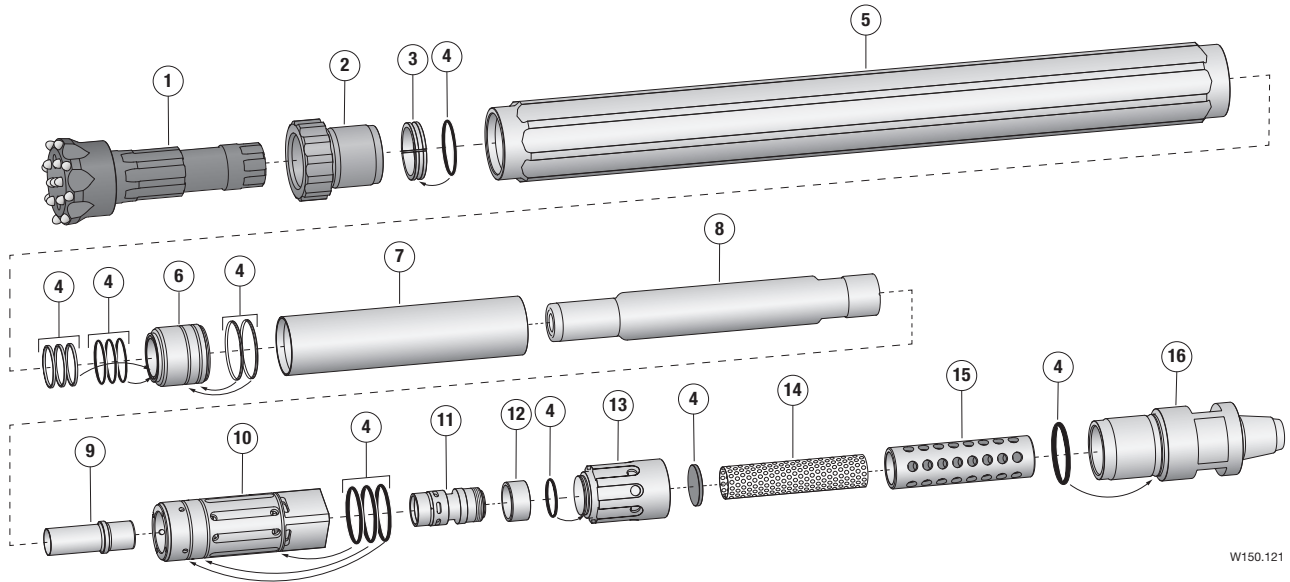
Technical specifications – W150.121	
Length A	1 754 mm (69")
Length B	1 659 mm (65")
Diameter C	Ø 160 / 173 / 185 / 198 mm (6.3 / 6.8 / 7.3 / 7.8")
Size D 	110 mm (4.3")
Weight (excl. bit)	180 kg (397 lbs)
Bit diameter	Ø 165 / 178 / 190 / 203 mm (6.5 / 7.0 / 7.5 / 8.0")
Operating pressure interval	80 - 180 bar (1 160 - 2 610 psi)
Water consumption interval	270 - 570 l/min (70 - 150 USgpm) new to worn
Frequency at maximum operating pressure	45 Hz (2 700 blows/min)
Feed force, formation dependant	15 000 - 30 000 N (3 370 - 6 750 lbf)
Rotation speed, formation dependant	40 - 65 rpm
Rotation torque, formation dependant	2 000 - 4 000 Nm (1 475 - 2 950 lbf-ft)
Drill rod	Wassara Drill Rod Ø 114 / 140 mm (4.5 / 5.5"), Thread API 3½" Reg
Recommended water pump	WASP200D / WASP200E VSD, 610 l/min (160 USgpm) @ 200 bar (2 900 psi)
Bit shank	Wassara 360



WATER PRESSURE/FLOW CHART



PARTS LIST: W150.121



W150.121

Pos	Detail	Part no
	Hammer W150, Ø 160 mm	1500060-160
	Hammer W150, Ø 173 mm	1500060-173
	Hammer W150, Ø 185 mm	1500060-185
	Hammer W150, Ø 198 mm	1500060-198
1	Drill bit Ø 165 mm, Convex SB	3000062
	Drill bit Ø 178 mm, Convex SB	3000128
	Drill bit Ø 190 mm, Convex SB	3000064
	Drill bit Ø 203 mm, Convex SB	3000041
2	Chuck	1001276
3	Bit retainer	1002881
4	Seal kit	1,2 1002613
5	Hammer case Ø 160 mm	1500054-160
	Hammer case Ø 173 mm	1500054-173
	Hammer case Ø 185 mm	1500054-185
	Hammer case Ø 198 mm	1500054-198

Pos	Detail	Part no
6	Piston bushing	1,2 0030981
7	Inner tube	1500100
8	Piston	1,2 0010983
9	Sliding case	2 1500099
10	Valve house	2 1500055
11	Valve	2 1500057
12	Sleeve	1500056
13	Guided lid	1500058
14	Filter	1,2 1500063
15	Filter support	1500059
16	Backhead API 3½" Reg pin	1500061

Spare part kit 1	1002630
Spare part kit 2	1002631

1400023, W150.121 product data sheet, 2015.01. All specifications can be changed without notice.