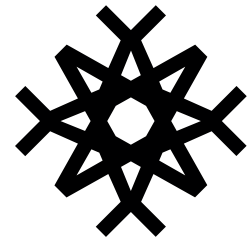



# WATER-POWERED DRILLING

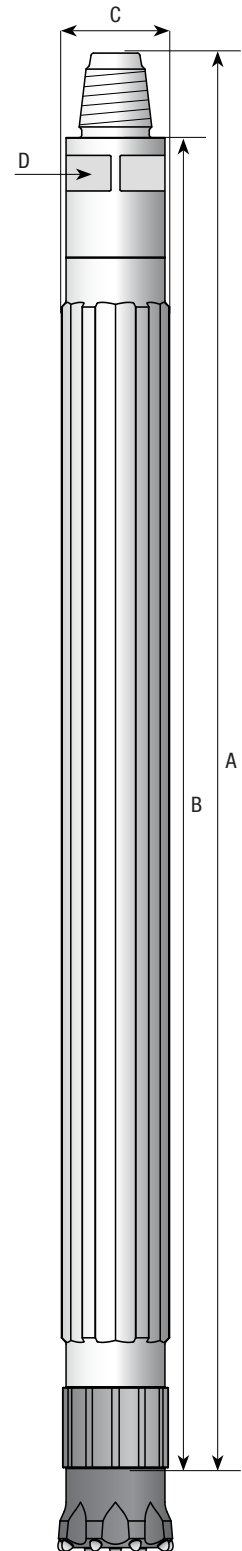
## TECHNICAL SPECIFICATION: W120 HAMMER



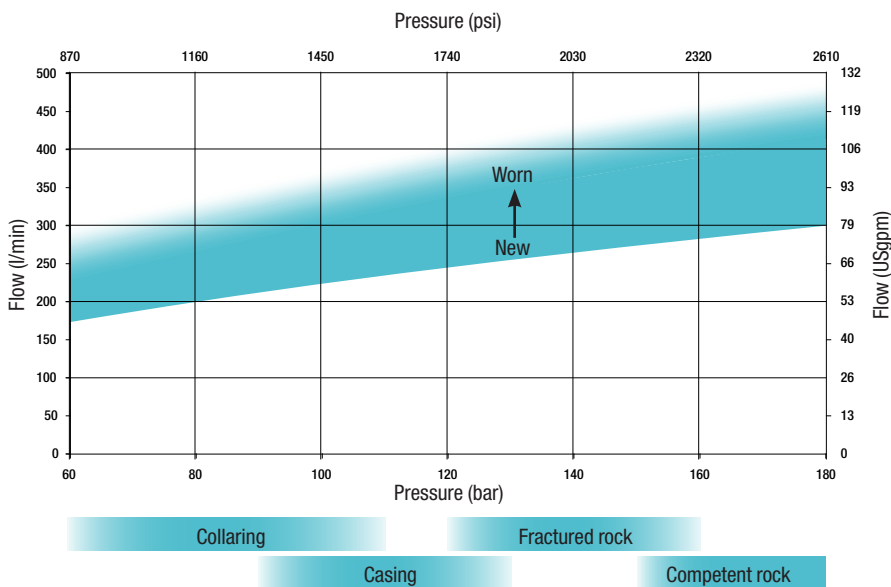
**wassara**

The Wassara technology uses water to power the DTH hammer. This makes it the ideal choice for drilling in sensitive areas as well as for drilling long straight holes. The water-powered hammer is capable of penetrating almost any formation while maintaining speed and accuracy.

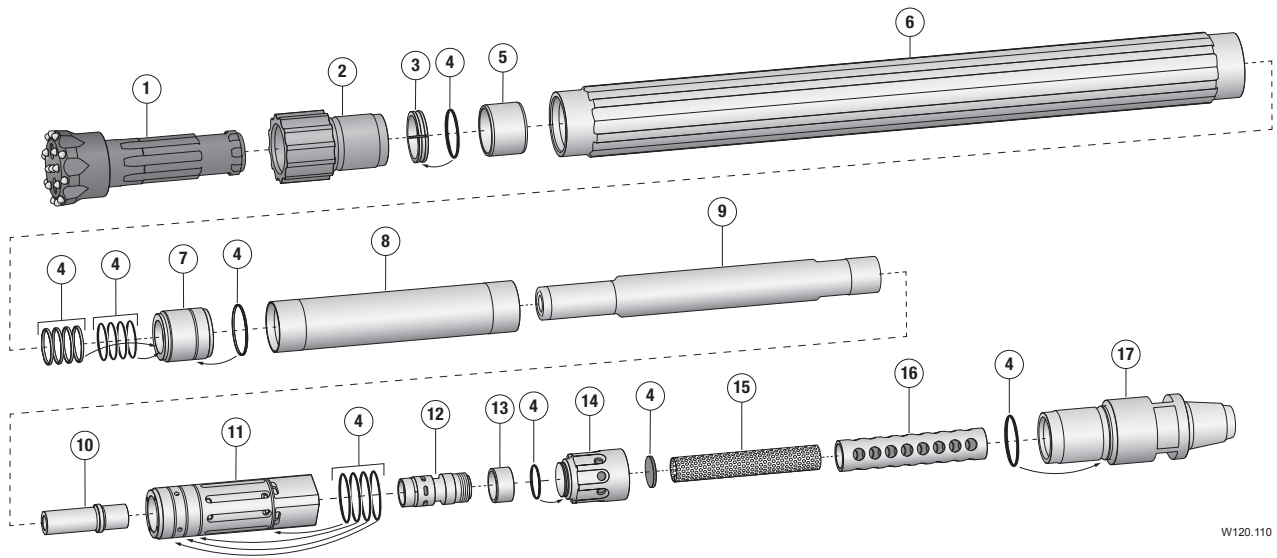
Technical specifications – W120.110	
<b>Length A</b>	1 590 mm (62.6")
<b>Length B</b>	1 495 mm (59")
<b>Diameter C</b>	Ø 126 mm (5")
<b>Size D</b> 	90 mm (3.5")
<b>Weight (excl. drill bit)</b>	99 kg (218 lbs)
<b>Bit diameter</b>	Ø 130 / 140 / 152 mm (5 / 5.5 / 6.0")
<b>Operating pressure interval</b>	60 - 180 bar (870 - 2 610 psi)
<b>Water consumption interval</b>	175 - 445 l/min (45 - 118 USgpm) new to worn
<b>Frequency at maximum operating pressure</b>	54 Hz (3 240 blows/min)
<b>Feed force, formation dependant</b>	12 000 - 24 000 N (2 700 - 5 400 lbf)
<b>Rotation speed, formation dependant</b>	45 - 75 rpm
<b>Rotation torque, formation dependant</b>	1 500 - 3 000 Nm (1 100 - 2 210 lbf-ft)
<b>Drill rod</b>	Wassara Drill rod Ø 102 mm (4"), Thread API 3½" Reg
<b>Recommended water pump</b>	WASP200D / WASP200E VSD 610 l/min (160 USgpm) @ 200 bar (2 900 psi)
<b>Bit shank</b>	Wassara 350



### WATER PRESSURE/FLOW CHART



# PARTS LIST: W120.110



W120.110

Pos	Detail	Part no
	<b>Hammer W120, Ø 126 mm</b>	1001070-126
	<b>Hammer W120, Ø 136 mm</b>	1001070-136
	<b>Hammer W120, Ø 148 mm</b>	1001070-148
<b>1</b>	Drill bit Ø 130 mm, Convex SB	3000013
	Drill bit Ø 140 mm, Convex SB	3000059
	Drill bit Ø 152 mm, Convex SB	3000061
<b>2</b>	Chuck	1000547
<b>3</b>	Bit retainer	1002880
<b>4</b>	Seal kit	1,2 1002079
<b>5</b>	Guide sleeve	1000549
<b>6</b>	Hammer case Ø 126 mm	1001057-126
	Hammer case Ø 136 mm	1001057-136
	Hammer case Ø 146 mm	1001057-146

Pos	Detail	Part no
<b>7</b>	Piston bushing	1,2 1001059
<b>8</b>	Inner tube	1001061
<b>9</b>	Piston	1,2 1001060
<b>10</b>	Sliding case	1001063
<b>11</b>	Valve house	2 1001062
<b>12</b>	Valve	2 1001064
<b>13</b>	Sleeve	1001065
<b>14</b>	Guided lid	1001066
<b>15</b>	Filter	1,2 1001130
<b>16</b>	Filter support	1001068
<b>17</b>	Backhead API 3 1/2" Reg pin	1001067

*Spare part kit 1*

1002221

*Spare part kit 2*

1002222

1400022, W120.110 product data sheet, 2015.01. All specifications can be changed without notice.