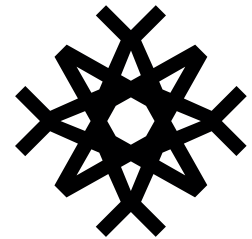



WATER-POWERED DRILLING

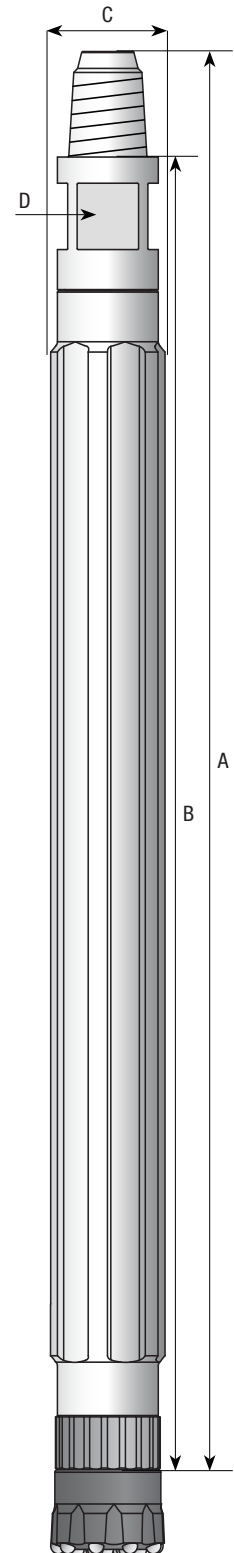
TECHNICAL SPECIFICATION: W80 HAMMER



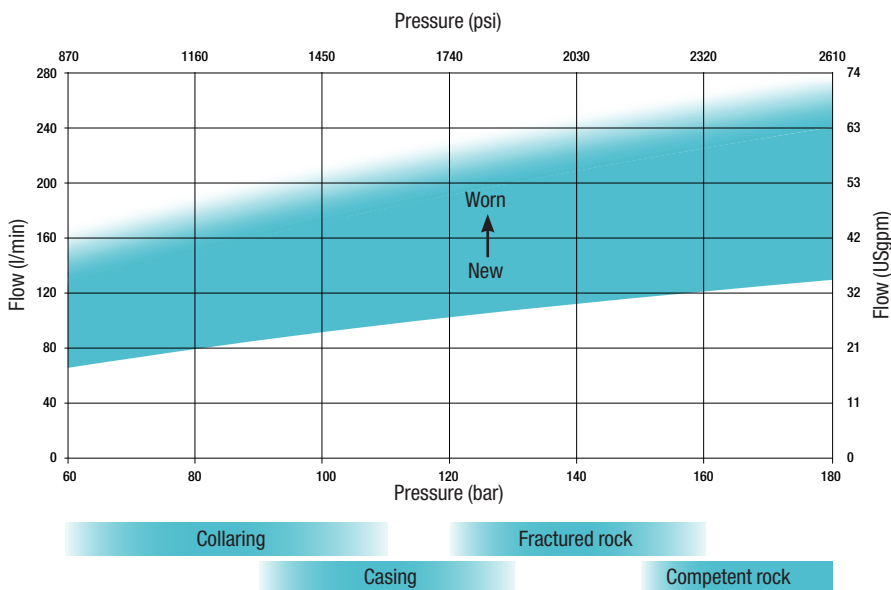
Wassara

The Wassara technology uses water to power the DTH hammer. This makes it the ideal choice for drilling in sensitive areas as well as for drilling long straight holes. The water-powered hammer is capable of penetrating almost any formation while maintaining speed and accuracy.

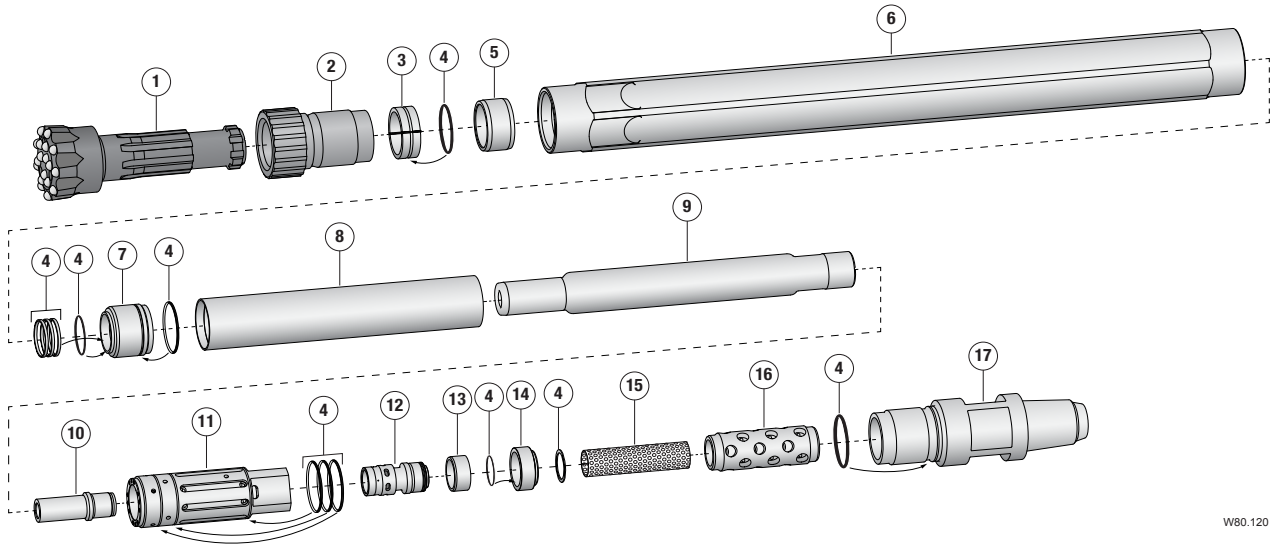
Technical specifications – W80.120	
Length A	1 049 mm (41.3")
Length B	977 mm (38.5")
Diameter C	Ø 91 / 98 mm (3.6 / 3.9")
Size D 	Ø 64 mm (2.5")
Weight	32 kg (70.5 lbs)
Bit diameter	Ø 95 / 102 mm (3.7 / 4.0")
Operating pressure interval	60 - 180 bar (870 - 2 610 psi)
Water consumption interval	70 - 270 l/min (18 - 70 USgpm) new to worn
Frequency at maximum operating pressure	60 Hz (3 600 blows/min)
Feed force, formation dependant	7 000 - 10 000 N (1 570 - 2 250 lbf)
Rotation speed, formation dependant	60 - 100 rpm
Rotation torque, formation dependant	800 - 1 500 Nm (590 - 1 100 lbf-ft)
Drill rod	Wassara Drill rod Ø 76 mm (3"), Thread API 2 3/8" Reg
Recommended water pump	WASP100D / WASP100E VSD, 360 l/min (95 USgpm) @ 200 bar (2 900 psi)
Bit shank	Wassara 3.5



WATER PRESSURE/FLOW CHART



PARTS LIST: W80.120



W80.120

Pos	Detail	Part no
	Hammer W80, Ø 91 mm	1002065-91
	Hammer W80, Ø 98 mm	1002065-98
1	Drill bit Ø 95 mm Speed SB	3000011
	Drill bit Ø 102 mm Speed SB	3000126
2	Chuck	1000737
3	Bit retainer	1002877
4	Seal kit	1, 2 1002077
5	Guide sleeve	1000061
6	Hammer case Ø 91 mm	1001136-91
	Hammer case Ø 98 mm	1001136-98
7	Piston bushing	1, 2 1000063
8	Inner tube	1001125

Pos	Detail	Part no
9	Piston	1, 2 1001124
10	Sliding case	1000259
11	Valve house	2 1001123
12	Valve	2 1001078
13	Sleeve	1000265
14	Lid	1000070
15	Filter	1, 2 1001386
16	Filter support	2000004
17	Backhead API 2 3/8" Reg Pin	1000281

Spare part kit 1

1002217

Spare part kit 2

1002218

1400020, W80.120 product data sheet, 2017.01. All specifications can be changed without notice.