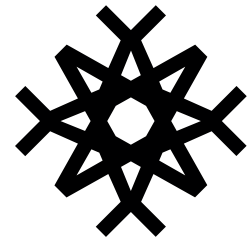



WATER-POWERED DRILLING

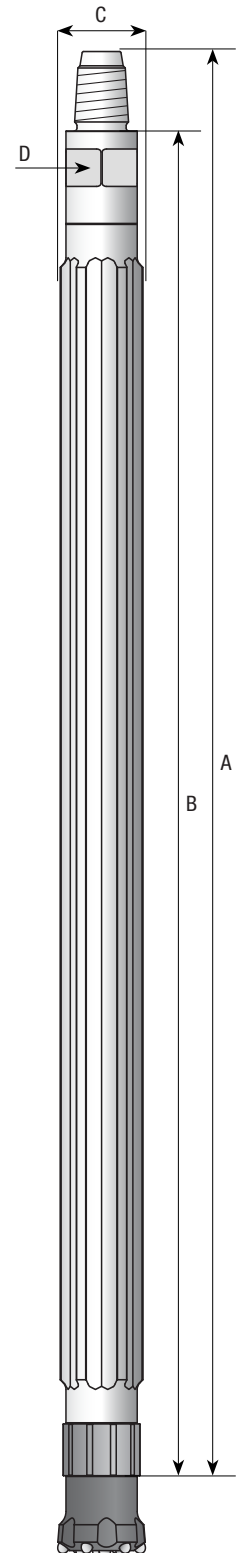
TECHNICAL SPECIFICATION: W50.220 HAMMER



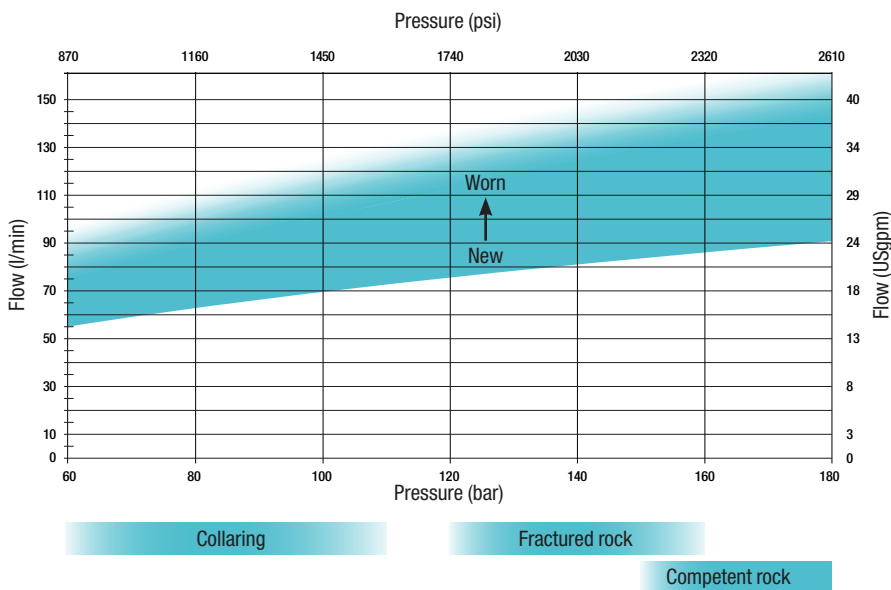
wassara

The Wassara technology uses water to power the DTH hammer. This makes it the ideal choice for drilling in sensitive areas as well as for drilling long straight holes. The water-powered hammer is capable of penetrating almost any formation while maintaining speed and accuracy.

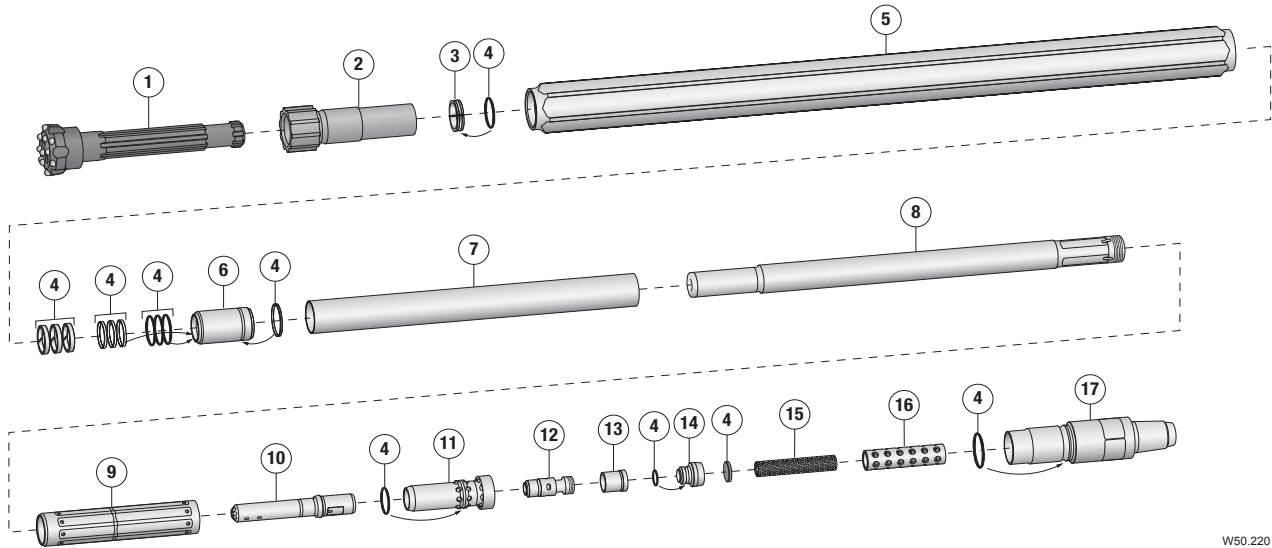
Technical specifications – W50.220	
Length A	1 090 mm (42.9")
Length B	1 037 mm (40.8")
Diameter C	Ø 56 / 60 mm (2.2 / 2.4")
Size D 	36 mm (1.4")
Weight	16 kg (35.3 lbs)
Bit diameter	Ø 60 / 64 mm (2.4 / 2.5")
Operating pressure interval	60 - 180 bar (870 - 2 610 psi)
Water consumption interval	55 - 160 l/min (15 - 42 USgpm) new to worn
Frequency at maximum operating pressure	65 Hz (3 900 blows/min)
Feed force, formation dependant	3 000 - 6 000 N (675 - 1 350 lbf)
Rotation speed, formation dependant	100 - 200 rpm
Rotation torque, formation dependant	200 - 300 Nm (147.5 - 221 lbf-ft)
Drill rod	Wassara Drill rod Ø 48 mm (1.9"), Thread NC 13
Recommended water pump	WASP100D / WASP100E VSD, 360 l/min (95 USgpm) @ 200 bar (2 900 psi)
Bit shank	W-Bit 50



WATER PRESSURE/FLOW CHART



PARTS LIST: W50.220



W50.220

Pos	Detail	Part no
	Hammer W50, Ø 56 mm	1500280-56
	Hammer W50, Ø 60 mm	1500280-60
1	Drill bit Ø 60 mm	3000129
	Drill bit Ø 64 mm	3000147
2	Chuck	1500048
3	Bit retainer	1002875
4	Seal kit	1, 2 1002762
5	Hammer case Ø 56 mm	1500515-56
	Hammer case Ø 60 mm	1500515-60
6	Piston bushing	1, 2 1500683
7	Inner tube	1500684
8	Piston	1, 2 1500686

Pos	Detail	Part no
9	House retainer	2 1500274
10	Sliding case	2 1500275
11	Valve house	2 1500278
12	Valve	2 1500272
13	Sleeve	1000496
14	Lid	2 1500279
15	Filter	1, 2 1500288
16	Filter support	1500283
17	Backhead NC13	1500284

<i>Spare part kit 1</i>	1002993
<i>Spare part kit 2</i>	1002994