



# Borrtillbehör



# Drilling Accessories



## **Driconeq AB**

**Postadress / Mail address**

**Box 325, SE-686 26 Sunne  
Sweden**

**Besöksadress / Visiting address**

**Svetsarvägen 4, Sunne  
Sweden**

**Tel. +46 (0)565-121 10**

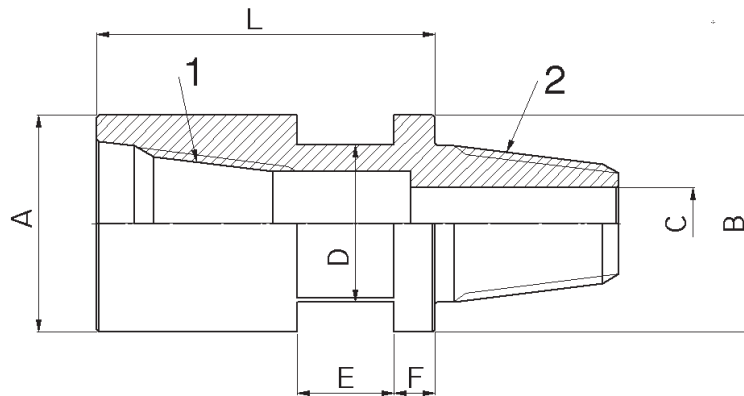
**Fax. +46 (0)565-146 20**

**E-mail: [sales@driconeq.com](mailto:sales@driconeq.com)**

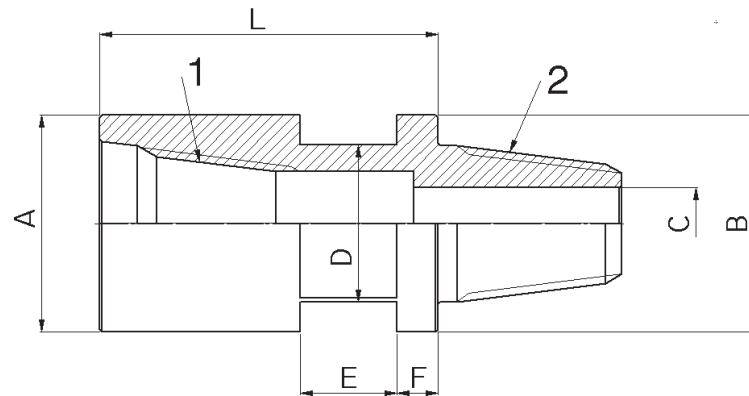
**Web: [www.driconeq.com](http://www.driconeq.com)**

## Innehållsförteckning / Index

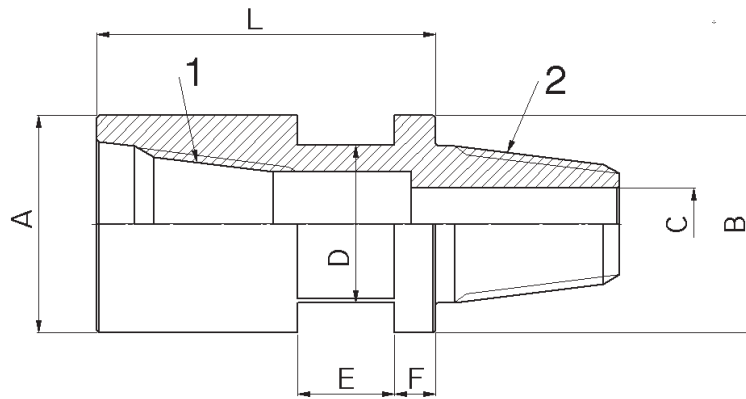
1	Övergångar / Adapters	Box x Pin
16	Övergångar / Adapters	Box x Box
20	Övergångar / Adapters	Pin x Pin
23	Övergångar / Adapters	BPI type
26	Retrac	
27	Vingstyrningar / Guide sleeves	
31	Styrrör / Guide rods	
32	Tillbehör / Accessories DTH-Hammer	
34	Stabilizers	
36	Backventiler / In line check valves	
40	Borrskor / Casing shoes	
41	Rymmare / Hole openers	
42	Kronskraft / Shanks	
43	Nycklar / Wrenches	
44	Lyftpluggar / Hoist plugs	
45	Svivelyftpluggar / Swivel lifting plugs	
46	Fångstverktyg / Fishing tools	
47	Lyftslingor / Lifting slings	
48	Hydraulmanchett / Hydraulic packer	



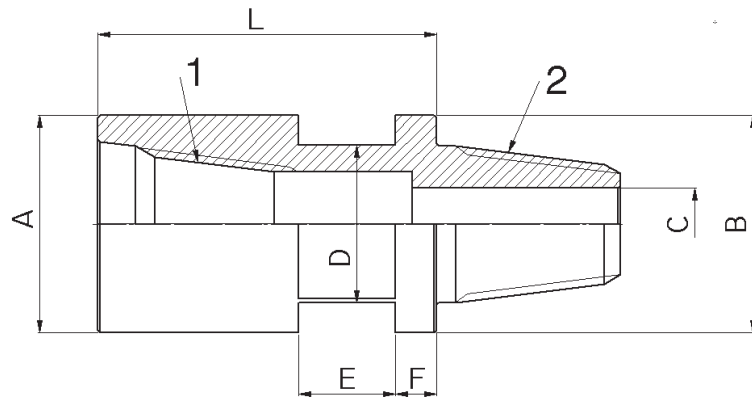
Thread Box 1	Thread Pin 2	Measurements, mm							Product No.
		L	A	B	C	D	E	F	
ACT(NWY)	ACT(NWY)	140	70	70	30	55	40	15	11-1565
ACT(NWY)	RD50-6	175	70	70	30	55	40	15	11-1001
ACT(NWY)	2 3/8" Reg	144	76	76	30	65	40	15	11-1002
ACT(NWY)	2 3/8" IF	144	89	89	43	65	40	15	11-1494
ACT(NWY)	2 7/8" Reg	144	89	89	34	65	40	15	11-1445
ACT(NWY)	3 1/2" Reg	135	70	115	43	95	50	15	11-1003
AWJ	2 3/8" Reg	145	76	76	25	65	40	20	11-1600
AWJ	2 7/8" IF	440	114	114	25	95	50	305	11-1334
CR60	CR60	300	60	60	22	41	50	210	11-1619
GG 2"	Haus	140	76	76	25	65	40	20	11-1636
GG 2"	2 3/8" Reg	150	89	89	30	65	40	20	11-1635
Haus	GG2"	140	76	76	25	65	40	20	11-1637
Haus	2 3/8" Reg	140	76	76	30				11-1351



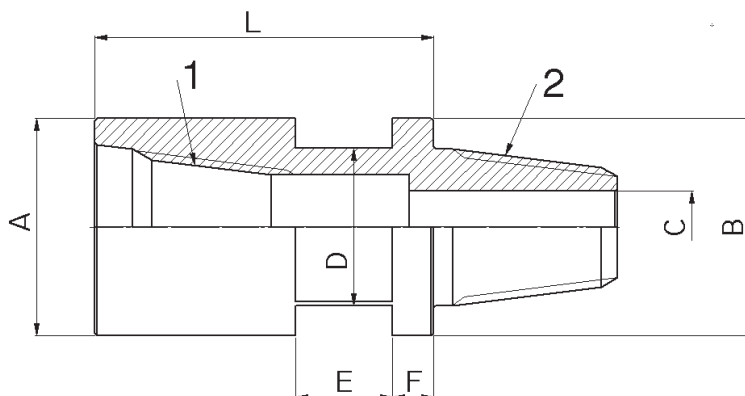
Thread Box 1	Thread Pin 2	Measurements, mm							Product No.
		L	A	B	C	D	E	F	
NC 35	NC 35	165	114	114	58	95	50	20	11-1073
NC 35	2 7/8" Reg	165	114	114	36	95	50	20	11-1070
NC 35	2 7/8" IF	165	114	114	53	95	50	20	11-1071
NC 35	3 1/2" Reg	165	114	114	43	95	50	20	11-1072
NC 35	3 1/2" IF	165	114	114	58	95	50	20	11-1074
NC 35	4 1/2" Reg	140	114	146	58	120	50	20	11-1075
NC 35	4 1/2" FH	140	114	146	76	120	50	20	11-1076
NC 35	6 5/8" Reg	173	146	197	80	178	50	20	11-1077
2" Z	Beco 3"	100	82	102	38	65	75	25	11-1528
2" Z	2 3/8" Reg	106	74	79	30	65	75	31	11-1527
2" Z	3 1/2" Reg	100	82	102	38	66	75	25	11-1551
2" Z	3 1/2" Reg	165	76	115	38	65	40	65	11-1272
2 1/4" Z	2 3/8" Reg	140	89	89	30	65	40	20	11-1406
2 1/2" Z	3 1/2" Reg	100	96	102	43	85	76	24	11-1393



Thread Box 1	Thread Pin 2	Measurements, mm							Product No.
		L	A	B	C	D	E	F	
RD 40-6	2 3/8" Reg	135	76	76	30	65	40	27	11-1443
RD 50-6	RD 50-6	114	70	70	30	55	40	15	11-1004
RD 50-6	RD 50-6	155	70	70	30	55	40	15	11-1006
RD 50-6	RD 50-6	350	70	70	30	55	40	15	11-1474
RD 50-6	2 3/8" Reg	135	76	76	30	65	40	27	11-1005
RD 70-4	RD 50-6	155	89	89	30	65	40	30	11-1007
RD 70-4	RD 70-4	155	89	89	43	65	40	20	11-1008
RD 70-4	RD 70-4	460	89	89	43	65	40	20	11-1009
RD 70-4	RD 70-4	700	89	89	43	65	40	576	11-1576
RD 70-4	2 3/8" Reg	139	89	89	30	65	40	15	11-1010
RD 70-4	2 3/8" Reg	152	89	89	30	65	40	28	11-1550
RD 70-4	2 3/8" IF	144	89	89	43	65	40	15	11-1011
RD 70-4	3 1/2" Reg	155	114	114	43	95	50	20	11-1012

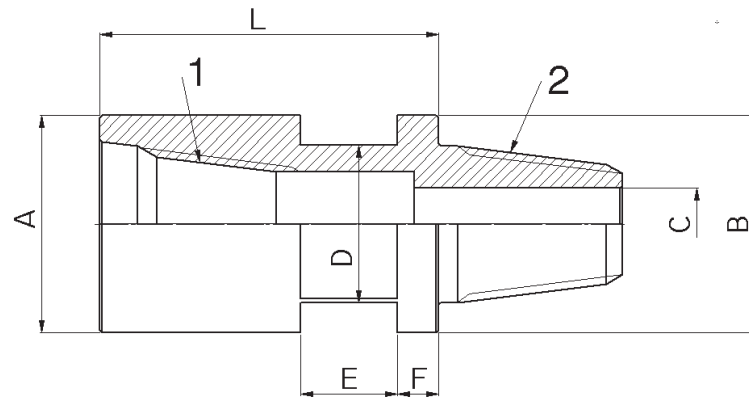


Thread Box 1	Thread Pin 2	Measurements, mm							Product No.
		L	A	B	C	D	E	F	
2 3/8" Reg	ACT(NWY)	145	76	76	30	65	40	20	11-1014
2 3/8" Reg	AWJ	145	76	76	13	65	40	20	11-1599
2 3/8" Reg	Beco 3"	101	90	102	38	76	76		11-1489
2 3/8" Reg	GG 2"	140	89	89	25	65	40	17	11-1634
2 3/8" Reg	Haus	470	76	76	25				11-1350
2 3/8" Reg	HS-6	154	89	89	38	65	50	21	11-1235
2 3/8" Reg	HW	145	89	89	43	65	40	20	11-1617
2 3/8" Reg	NW	150	76	67	30	65	40	25	11-1372
2 3/8" Reg	RD 40-6	145	76	76	22	65	40	27	11-1346
2 3/8" Reg	RD 50-6	145	76	76	30	65	40	27	11-1015
2 3/8" Reg	RD 56-6	125	76	76	30				11-1461
2 3/8" Reg	RD 70-4	145	89	89	43	65	40	15	11-1016
2 3/8" Reg	RD 70-4	250	89	89	43	65	40	15	11-1247
2 3/8" Reg	RD 70-4	340	89	89	43	65	40	215	11-1592
2 3/8" Reg	RD 70-4	350	89	89	43	65	40	25	11-1473
2 3/8" Reg	RD 70-4	440	89	89	43	65	40	315	11-1017
2 3/8" Reg	RD 70-4	440	89	89	43	65	40	140	11-1422
2 3/8" Reg	RD 70-4	460	89	89	43	65	40	335	11-1495
2 3/8" Reg	RD 70-4	500	89	89	43	65	40	375	11-1611
2 3/8" Reg	RD 70-4	500	89	89	43	65	40	30	11-1605
2 3/8" Reg	RD 70-4	550	89	89	43	65	40	15	11-1321
2 3/8" Reg	RD 70-4	600	89	89	43	65	40	470	11-1459
2 3/8" Reg	RD 70-4	600	89	89	43	65	40	15	11-1230
2 3/8" Reg	RD 70-4	320	100	100	43				11-1394
2 3/8" Reg	RD 70-4	440	102	102	43	65	40	315	11-1590
2 3/8" Reg	2" Z	140	76	76	25	65	40	17	11-1561
2 3/8" Reg	2 1/4" Z	140	89	89	25	65	40	25	11-1226
2 3/8" Reg	2 1/2" Z	190	89	89	30	65	40	25	11-1027

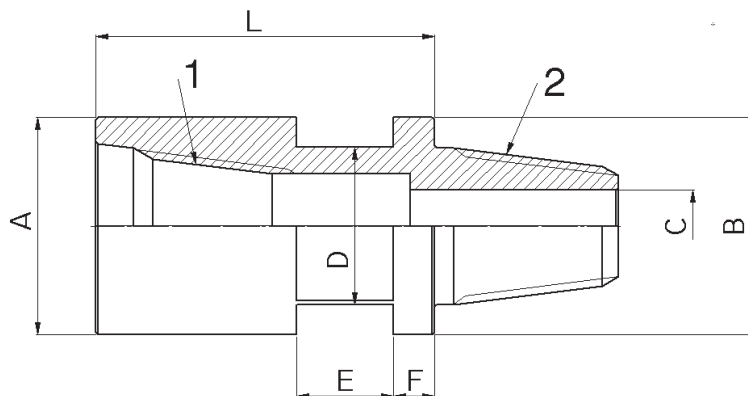


Thread Box 1	Thread Pin 2	Measurements, mm							Product No.
		L	A	B	C	D	E	F	
2 3/8" Reg	2 3/8" Reg	140	76	76	30	65	40	17	11-1018
2 3/8" Reg	2 3/8" Reg	140	76	76	30				11-1019
2 3/8" Reg	2 3/8" Reg	203	89	76	30	65	40	27	11-1389
2 3/8" Reg	2 3/8" Reg	300	76	76	30	65	40	17	11-1303
2 3/8" Reg	2 3/8" Reg	305	76	76	30				11-1579
2 3/8" Reg	2 3/8" Reg	400	76	76	30	65	40	17	11-1225
2 3/8" Reg	2 3/8" Reg	410	76	76	30	65	40	285	11-1568
2 3/8" Reg	2 3/8" Reg	435	76	76	30	65	40	310	11-1577
2 3/8" Reg	2 3/8" Reg	460	76	76	30	65	40	335	11-1569
2 3/8" Reg	2 3/8" Reg	460	76	76	30				11-1571
2 3/8" Reg	2 3/8" Reg	500	76	76	30	65	40	20	11-1431
2 3/8" Reg	2 3/8" Reg	550	76	76	30	65	40	425	11-1549
2 3/8" Reg	2 3/8" Reg	609	76	76	30	57	102	387	11-1292
2 3/8" Reg	2 3/8" Reg	140	80	80	30	65	40	17	11-1572
2 3/8" Reg	2 3/8" Reg	420	80	82,5	30	70	50	250	11-1644
2 3/8" Reg	2 3/8" Reg	100	89	89	30				11-1253
2 3/8" Reg	2 3/8" Reg	140	89	89	30	65	40	17	11-1020
2 3/8" Reg	2 3/8" Reg	140	89	89	30				11-1021
2 3/8" Reg	2 3/8" Reg	152	89	89	30	70	50	17	11-1466
2 3/8" Reg	2 3/8" Reg	170	89	89	30	65	40	17	11-1496
2 3/8" Reg	2 3/8" Reg	200	89	89	30	65	40	75	11-1573
2 3/8" Reg	2 3/8" Reg	203	89	89	30	65	40	25	11-1355
2 3/8" Reg	2 3/8" Reg	225	89	89	30				11-1374
2 3/8" Reg	2 3/8" Reg	225	89	89	30	65	40	75	11-1263
2 3/8" Reg	2 3/8" Reg	250	89	89	30	65	40	100	11-1261
2 3/8" Reg	2 3/8" Reg	240	89	89	30	65	40	115	11-1359

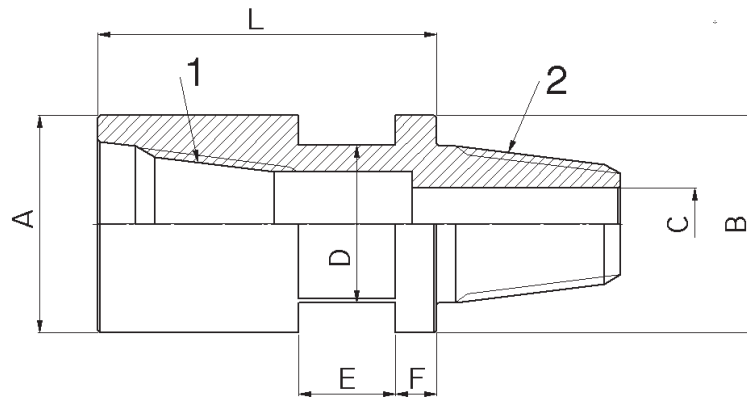




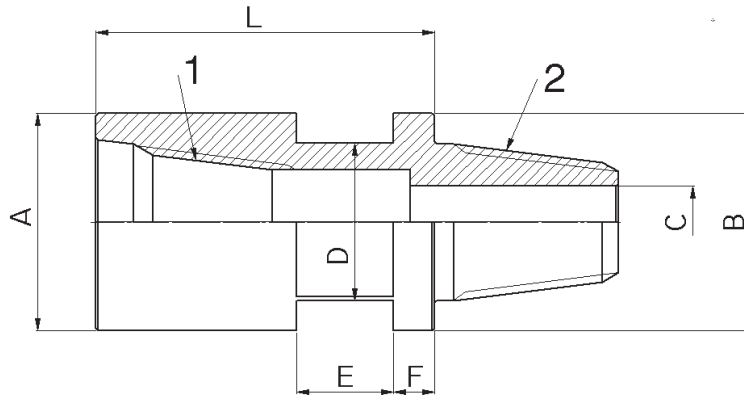
Thread Box 1	Thread Pin 2	Measurements, mm							Product No.
		L	A	B	C	D	E	F	
2 3/8" Reg	2 3/8" Reg	270	89	89	30	65	40	17	11-1022
2 3/8" Reg	2 3/8" Reg	305	89	89	30				11-1202
2 3/8" Reg	2 3/8" Reg	320	89	89	30	65	40	195	11-1641
2 3/8" Reg	2 3/8" Reg	360	89	89	30	65	40	235	11-1425
2 3/8" Reg	2 3/8" Reg	400	89	89	30	65	40	17	11-1234
2 3/8" Reg	2 3/8" Reg	420	89	89	30	70	50	250	11-1555
2 3/8" Reg	2 3/8" Reg	440	89	89	30	65	40	315	11-1284
2 3/8" Reg	2 3/8" Reg	440	89	89	30	65	40	17	11-1347
2 3/8" Reg	2 3/8" Reg	450	89	89	20	65	40	27	11-1183
2 3/8" Reg	2 3/8" Reg	450	89	89	20				11-1184
2 3/8" Reg	2 3/8" Reg	500	89	89	30	65	40	17	11-1275
2 3/8" Reg	2 3/8" Reg	525	89	89	30	65	40	400	11-1566
2 3/8" Reg	2 3/8" Reg	550	89	89	30	65	40	425	11-1535
2 3/8" Reg	2 3/8" Reg	550	89	89	30	65	40	30	11-1455
2 3/8" Reg	2 3/8" Reg	580	89	89	30	65	40	460	11-1310
2 3/8" Reg	2 3/8" Reg	580	89	89	30	65	40	17	11-1606
2 3/8" Reg	2 3/8" Reg	580	89	89	30				11-1503
2 3/8" Reg	2 3/8" Reg	600	89	89	30	65	40	475	11-1356
2 3/8" Reg	2 3/8" Reg	600	89	89	30	65	40	17	11-1245
2 3/8" Reg	2 3/8" Reg	140	102	102	30	75	40	20	11-1024
2 3/8" Reg	2 3/8" Reg	300	102	102	30	75	40	20	11-1476
2 3/8" Reg	2 3/8" Reg	300	115	115	30	95	50	20	11-1306



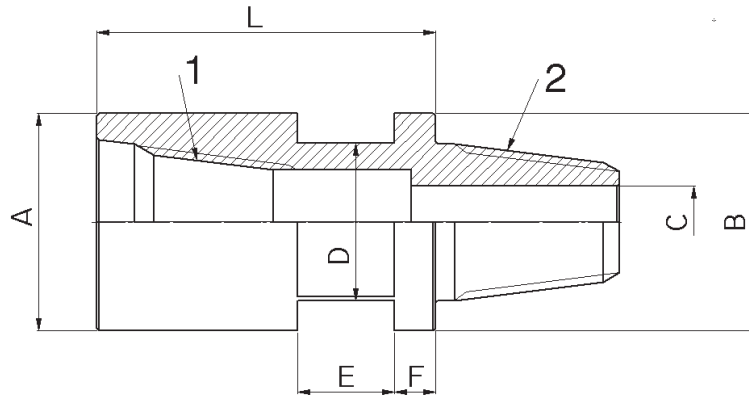
Thread Box 1	Thread Pin 2	Measurements, mm							Product No.
		L	A	B	C	D	E	F	
2 3/8" Reg	2 3/8" IF	144	89	89	43	65	40	25	11-1025
2 3/8" Reg	2 3/8" IF	140	102	102	43	75	40	25	11-1026
2 3/8" Reg	2 3/8" IF	180	89	89	43	70	50	30	11-1433
2 3/8" Reg	2 3/8" IF	210	89	89	43	65	40	85	11-1378
2 3/8" Reg	2 3/8" IF	300	89	89	43	65	40	175	11-1436
2 3/8" Reg	2 3/8" IF	300	89	89	43				11-1502
2 3/8" Reg	2 3/8" IF	500	89	89	43	65	40	25	11-1584
2 3/8" Reg	2 3/8" IF	610	89	89	43	65	40	25	11-1287
2 3/8" Reg	2 7/8" Reg	130	102	102	38	75	40	17	11-1029
2 3/8" Reg	2 7/8" Reg	140	89	89	38	65	40	17	11-1028
2 3/8" Reg	2 7/8" IF	120	114	114	43	95	50	25	11-1030
2 3/8" Reg	2 7/8" IF	152	89	114	43	65	40	32	11-1240
2 3/8" Reg	2 7/8" IF	300	89	114	43	65	40	175	11-1608
2 3/8" Reg	2 7/8" IF	350	89	114	43	65	40	232	11-1305
2 3/8" Reg	2 7/8" IF	701	89	102	30	57	102	466	11-1291
2 3/8" Reg	3 1/2" Reg	100	96,5	101,6	43	85	76	24	11-1452
2 3/8" Reg	3 1/2" Reg	120	114	114	43	95	50	25	11-1031
2 3/8" Reg	3 1/2" Reg	305	114	114	43				11-1532
2 3/8" Reg	3 1/2" Reg	370	114	114	43	95	50	275	11-1032
2 3/8" Reg	3 1/2" Reg	550	89	114	43	95	30	10	11-1559



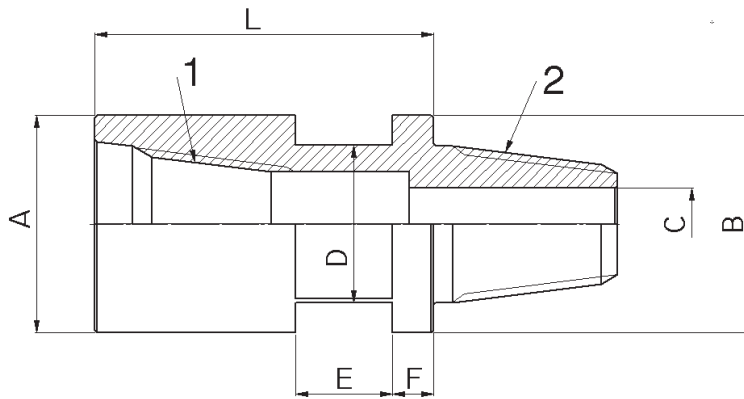
Thread Box 1	Thread Pin 2	Measurements, mm							Product No.
		L	A	B	C	D	E	F	
2 3/8" Reg	3 1/2" IF	120	89	114	43	95	50	20	11-1126
2 3/8" Reg	3 1/2" IF	355	89	127	43	63	40	215	11-1609
2 3/8" Reg	3 1/2" Z	120	89	114	43	95	50	30	11-1314
2 3/8" Reg	4 1/2" Reg	160	89	140	43	120	50	30	11-1407
2 3/8" Reg	4 1/2" Reg	677	89	140	38	65	50	120	11-1299
2 3/8 MA.JR.	2 7/8" Reg	130	102	102	38	75	50	25	11-1458
2 3/8" IF	ACT(NWY)	160	89	89	30	65	40	20	11-1493
2 3/8" IF	RD 70-4	160	89	89	43	65	40	20	11-1033
2 3/8" IF	RD 70-4	440	89	89	43	65	40	30	11-1326
2 3/8" IF	2 3/8" Reg	164	89	89	30	65	40	20	11-1034
2 3/8" IF	2 3/8" Reg	225	89	89	43	65	40	20	11-1340
2 3/8" IF	2 3/8" Reg	305	102	102	43				11-1325
2 3/8" IF	2 3/8" IF	170	89	89	43	65	40	20	11-1208
2 3/8" IF	2 3/8" IF	180	89	89	43	70	50	30	11-1432
2 3/8" IF	2 3/8" IF	203	89	89	38	76	50	57	11-1558
2 3/8" IF	2 3/8" IF	300	89	89	43	65	50	20	11-1534
2 3/8" IF	2 3/8" IF	400	89	89	43	65	50	250	11-1329
2 3/8" IF	2 3/8" IF	500	89	89	43	65	50	30	11-1468
2 3/8" IF	2 7/8" Reg	164	89	89	36	65	40	20	11-1604
2 3/8" IF	2 7/8" IF	152	114	114	43	95	50	30	11-1469



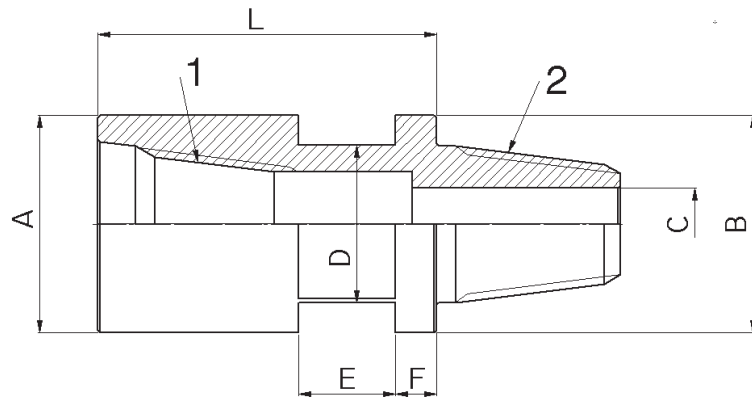
Thread Box 1	Thread Pin 2	Measurements, mm							Product No.
		L	A	B	C	D	E	F	
2 3/8" IF	3 1/2" Reg	152	114	114	43	95	50	17	11-1603
2 3/8" IF	3 1/2" Reg	160	114	114	43	95	50	20	11-1035
2 3/8" IF	3 1/2" Reg	180	114	114	43	76	50	28	11-1437
2 3/8" IF	3 1/2" Reg	500	114	114	43	95	50	360	11-1632
2 3/8" IF	3 1/2" Reg	609	89	114	38	76	63	450	11-1518
2 3/8" IF	3 1/2" IF	160	114	114	53	95	50	20	11-1507
2 7/8" Reg	2 3/8 MA.JR.	160	102	102	30	75	50	25	11-1457
2 7/8" Reg	2 3/8" Reg	154	89	89	30	65	40	10	11-1036
2 7/8" Reg	2 3/8" IF	170	89	89	43	65	40	25	11-1332
2 7/8" Reg	2 3/8" IF	300	89	89	43	65	40	25	11-1647
2 7/8" Reg	2 7/8" Reg	170	89	89	36	65	40	25	11-1380
2 7/8" Reg	2 7/8" Reg	203	102	102	36	89	50	25	11-1575
2 7/8" Reg	2 7/8" Reg	609	89	89	34	70	50	30	11-1629
2 7/8" Reg	2 7/8" IF	120	114	114	43	95	50	30	11-1282
2 7/8" Reg	2 7/8" IF	150	114	114	43	95	50	25	11-1037
2 7/8" Reg	3 1/2" Reg	150	114	114	43	95	50	30	11-1039
2 7/8" Reg	3 1/2" Reg	305	114	114	43	95	50	30	11-1286
2 7/8" Reg	3 1/2" Reg	305	102	114	43				11-1580
2 7/8" Reg	3 1/2" IF	160	114	114	43	95	50	25	11-1041
2 7/8" Reg	4 1/2" Reg	160	140	140	43	120	50	30	11-1042



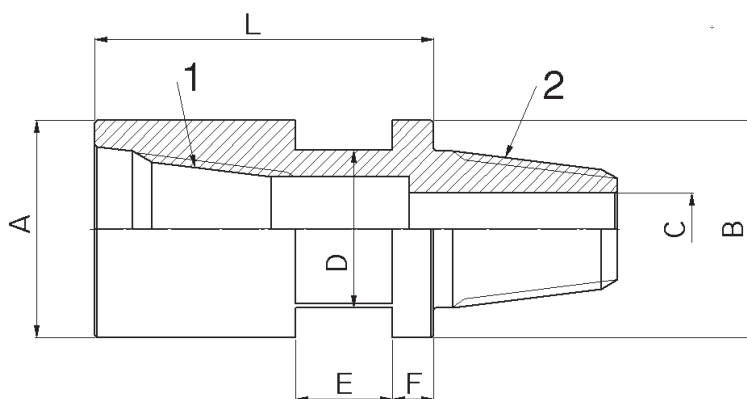
Thread Box 1	Thread Pin 2	Measurements, mm							Product No.
		L	A	B	C	D	E	F	
2 7/8" IF	2 3/8" Reg	202	114	89	30	65	50	15	11-1043
2 7/8" IF	2 7/8" Reg	160	114	89	36	95	50	15	11-1044
2 7/8" IF	2 7/8" IF	160	114	114	47	95	50	25	11-1423
2 7/8" IF	3 1/2" Reg	160	114	114	43	95	50	25	11-1045
2 7/8" IF	3 1/2" Reg	370	114	114	43	95	50	25	11-1040
2 7/8" IF	3 1/2" IF	160	114	114	58	95	50	20	11-1046
2 7/8" IF	3 1/2" IF	610	114	114	58	95	50	20	11-1047
2 7/8" IF	6 5/8" Reg	175	114	197	80	178	50	20	11-1048
3 1/2" Reg	ACT(NWY)	155	117	114	30	95	50	30	11-1050
3 1/2" Reg	BQ	159	114	55	30	95	84		11-1388
3 1/2" Reg	#28	140	127	127	36	95	50	15	11-1060
3 1/2" Reg	#28	160	114	114	36	95	50	20	11-1059
3 1/2" Reg	RD 70-4	200	114	89	43	95	50	65	11-1051
3 1/2" Reg	RD 70-4	300	114	89	43	95	50	165	11-1293
3 1/2" Reg	RD 70-4	440	114	89	43	65	40	15	11-1254
3 1/2" Reg	RD 110-4	175	140	140	58	120	50	25	11-1256
3 1/2" Reg	NC 36	160	114	114	58	95	50	25	11-1065
3 1/2" Reg	NC40	150	114	130	58	98	50	25	11-1219
3 1/2" Reg	2" Z	210	114	76	25	65	40	15	11-1271
3 1/2" Reg	2 1/2" Z	261	114	76	30	76	70	51	11-1222
3 1/2" Reg	2 3/8" Reg	120	114	114	30	95	40	15	11-1400
3 1/2" Reg	2 3/8" Reg	160	114	114	30	95	50	25	11-1053
3 1/2" Reg	2 3/8" Reg	175	114	114	30	65	40	15	11-1376
3 1/2" Reg	2 3/8" Reg	220	114	114	30	95	50	75	11-1384
3 1/2" Reg	2 3/8" Reg	240	114	89	30	65	40	35	11-1642
3 1/2" Reg	2 3/8" Reg	300	114	89	30	65	40	15	11-1052
3 1/2" Reg	2 3/8" Reg	500	114	89	30	65	40	15	11-1203



Thread Box 1	Thread Pin 2	Measurements, mm							Product No.
		L	A	B	C	D	E	F	
3 1/2" Reg	2 3/8" IF	160	114	114	43	95	40	30	11-1055
3 1/2" Reg	2 3/8" IF	184	114	89	43	95	50	54	11-1054
3 1/2" Reg	2 3/8" IF	368	114	89	38				11-1516
3 1/2" Reg	2 3/8" IF	406	114	89	43	65	40	25	11-1308
3 1/2" Reg	2 7/8" Reg	160	114	114	38	95	50	25	11-1056
3 1/2" Reg	2 7/8" Reg	370	114	114	38	95	50	235	11-1057
3 1/2" Reg	2 7/8" Reg	609	102	102	33	76	50	50	11-1643
3 1/2" Reg	2 7/8" IF	125	114	114	43				11-1497
3 1/2" Reg	2 7/8" IF	160	114	114	53	95	50	25	11-1058
3 1/2" Reg	2 7/8" IF	160	114	114	47				11-1385
3 1/2" Reg	2 7/8" IF	320	114	114	43	95	50	185	11-1492
3 1/2" Reg	2 7/8" IF	410	114	114	53	95	50	10	11-1451
3 1/2" Reg	2 7/8" IF	440	114	114	43	95	50	305	11-1345
3 1/2" Reg	2 7/8" IF	609	114	114	43	90	50	30	11-1428
3 1/2" Reg	3 1/2" Reg	160	114	114	43	95	50	20	11-1061
3 1/2" Reg	3 1/2" Reg	200	114	114	43	95	50	25	11-1552
3 1/2" Reg	3 1/2" Reg	228	114	114	43	89	76	25	11-1352
3 1/2" Reg	3 1/2" Reg	267	114	114	43	89	70	25	11-1597
3 1/2" Reg	3 1/2" Reg	275	114	114	43				11-1062
3 1/2" Reg	3 1/2" Reg	305	114	114	43				11-1578
3 1/2" Reg	3 1/2" Reg	355	114	114	43				11-1460
3 1/2" Reg	3 1/2" Reg	370	114	114	43	95	50	20	11-1063
3 1/2" Reg	3 1/2" Reg	400	114	114	43	95	50	260	11-1620
3 1/2" Reg	3 1/2" Reg	406							11-1354
3 1/2" Reg	3 1/2" Reg	406	114	114	43	95	50	254	11-1612
3 1/2" Reg	3 1/2" Reg	450	114	114	43	95	50	15	11-1462
3 1/2" Reg	3 1/2" Reg	457	114	114	43	89	60	75	11-1475
3 1/2" Reg	3 1/2" Reg	500	114	114	43	95	50	360	11-1357

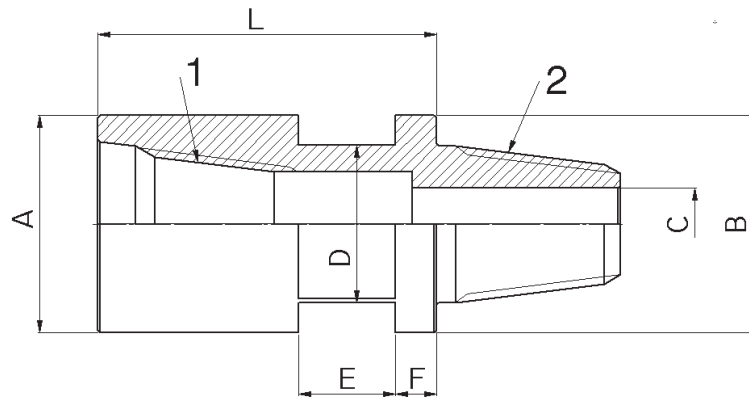


Thread Box 1	Thread Pin 2	Measurements, mm							Product No.
		L	A	B	C	D	E	F	
3 1/2" Reg	3 1/2" Reg	500	140	140	43	120	50	25	11-1560
3 1/2" Reg	3 1/2" Reg	750	114	114	43	95	50	20	11-1244
3 1/2" Reg	3 1/2" Reg	787	114	114	43	89	76	102	11-1336
3 1/2" Reg	3 1/2" Reg	900	114	114	43	95	50	20	11-1201
3 1/2" Reg	3 1/2" IF	160	114	114	58	95	50	25	11-1066
3 1/2" Reg	3 1/2" Beco	609	127	127	38	76	108	63	11-1524
3 1/2" Reg	3 1/2" Beco	609	140	140	38	76	108	63	11-1526
3 1/2" Reg	4" IF	482	114	152	58	95	50	312	11-1610
3 1/2" Reg	4 1/2" Reg	132	114	146	58	120	50	20	11-1067
3 1/2" Reg	4 1/2" FH	160	114	146	76	120	50	20	11-1068
3 1/2" Reg	6 5/8" Reg	175	197	197	58	178	50	30	11-1069
3 1/2" FH	3 1/2" FH	460	140	140	58	120	50	30	11-1182
3 1/2" FH	4 1/2" Reg	140	140	140	58	120	50	25	11-1553
3 1/2" IF	2 3/8" IF	195	120	89	43	65	40	15	11-1297
3 1/2" IF	2 7/8" IF	200	120	114	53	95	50	25	11-1078
3 1/2" IF	3 1/2" Reg	200	120	114	43	95	50	25	11-1079
3 1/2" IF	3 1/2" Reg	254	127	127	43	95	50	79	11-1319
3 1/2" IF	3 1/2" Reg	457	120	120	43	95	50	282	11-1320
3 1/2" IF	3 1/2" IF	200	120	120	58	95	50	25	11-1211
3 1/2" IF	4 1/2" Reg	140	140	140	58	120	50	20	11-1504
3 1/2" IF	6 5/8" Reg	173	197	197	80	178	50	30	11-1080

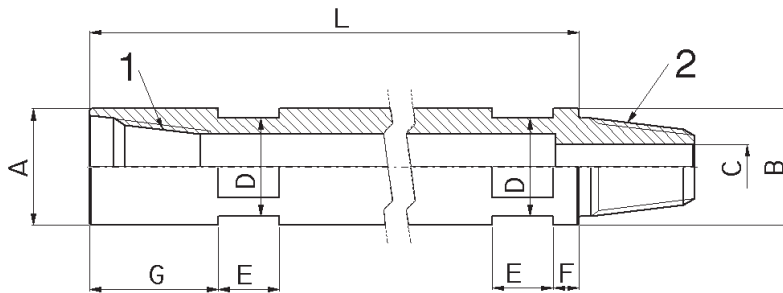


Thread Box 1	Thread Pin 2	Measurements, mm							Product No.
		L	A	B	C	D	E	F	
3 1/2" Beco	3 1/2" Reg	228	114	114	43				11-1523
3 1/2" Beco	3 1/2" Beco	228	127	120	38	95	50	38	11-1621
3 1/2" Beco	5 1/2" Reg	375	171	127	58	88,9	50	171	11-1515
4" FH	2 7/8" IF	175	140	114	53	120	40	20	11-1315
4 1/2" Reg	NC35	235	146	114	58	95	50	15	11-1229
4 1/2" Reg	2 3/8" Reg	219	146	89	30	65	40	20	11-1081
4 1/2" Reg	2 3/8" IF	219	146	89	43	65	40	15	11-1207
4 1/2" Reg	2 7/8" Reg	200	146	89	38	120	50	30	11-1082
4 1/2" Reg	2 7/8" IF	210	146	114	53	95	50	15	11-1083
4 1/2" Reg	2 7/8" IF	600	140	114	43	120	50	445	11-1382
4 1/2" Reg	3 1/2" Reg	235	146	114	43	95	50	15	11-1084
4 1/2" Reg	3 1/2" Reg	305	146	114	43	95	50	15	11-1583
4 1/2" Reg	3 1/2" Reg	420	146	114	43	95	50	25	11-1586
4 1/2" Reg	3 1/2" Reg	500	140	140	43	120	50	25	11-1557
4 1/2" Reg	3 1/2" FH	235	140	114	58	95	50	15	11-1554
4 1/2" Reg	3 1/2" IF	235	146	114	58	95	50	15	11-1454
4 1/2" Reg	3 1/2" Beco	609	140	120	38	76	108	63	11-1525
4 1/2" Reg	4 1/2" Reg	170	146	146	58	120	50	20	11-1591
4 1/2" Reg	4 1/2" Reg	317	140	140	58	120	50	20	11-1233
4 1/2" Reg	4 1/2" Reg	317	168	168	58	120	50	20	11-1383
4 1/2" Reg	4 1/2" Beco	889	178	178	58	127	50	76	11-1622
4 1/2" Reg	6 5/8" Reg	180	146	200	58	178	50	35	11-1085

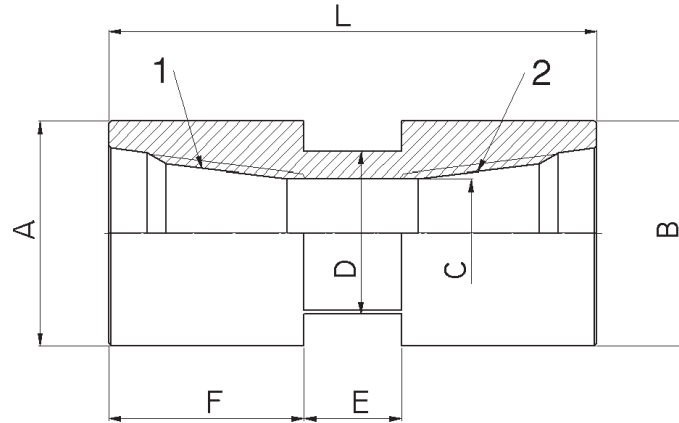




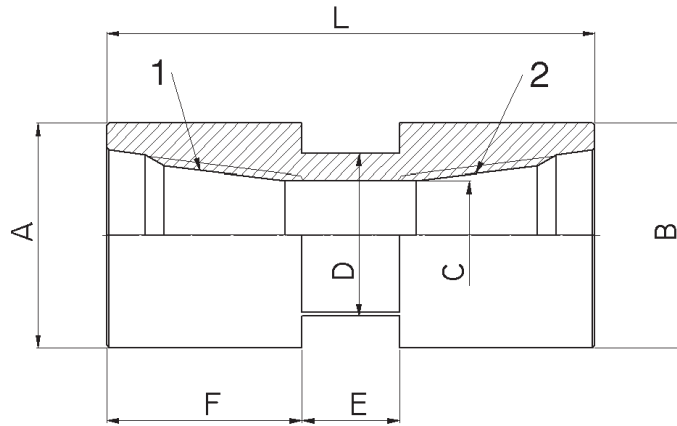
Thread Box 1	Thread Pin 2	Measurements, mm							Product No.
		L	A	B	C	D	E	F	
4 1/2" FH	2 7/8" IF	200	146	115	53	120	50	20	11-1086
4 1/2" FH	3 1/2" Reg	200	146	115	43	120	50	20	11-1087
4 1/2" FH	3 1/2" IF	200	146	120	58	120	50	20	11-1088
4 1/2" FH	4 1/2" Reg	200	146	146	58	120	50	20	11-1089
4 1/2" FH	6 5/8" Reg	260	146	197	80	120	50	20	11-1090
4 1/2" IF	4 1/2" IF	200	152	152	80				11-1369
5 1/2" IF	4 1/2" IF	300	197	168	70				11-1416
6 5/8" Reg	NC 35	260	197	114	58	95	50	15	11-1094
6 5/8" Reg	2 7/8" Reg	295	197	102	36	75	40	20	11-1091
6 5/8" Reg	2 7/8" IF	300	197	114	53	120	50	50	11-1092
6 5/8" Reg	3 1/2" Reg	300	197	114	43	120	50	50	11-1093
6 5/8" Reg	3 1/2" Reg	857	197	114	43	90	50	30	11-1426
6 5/8" Reg	3 1/2" IF	260	197	120	58	95	50	15	11-1095
6 5/8" Reg	4 1/2" Reg	293	197	140	58	120	50	20	11-1096
6 5/8" Reg	4 1/2" Reg	285	197	168	58	120	50	30	11-1381
6 5/8" Reg	4 1/2" Reg	750	197	168	58	140	50	30	11-1594
6 5/8" Reg	6 5/8" Reg	207	194	194	80	152	50	30	11-1283
6 5/8" Reg	6 5/8" Reg	207	203	203	80				11-1490
6 5/8" Reg	6 5/8" IF	198	200	225	89	178	50	48	11-1172
7 5/8" Reg	6 5/8" Reg	200	225	200	89	178	50	50	11-1097
7 5/8" Reg	6 5/8" Reg	300	225	200	89	178	50	50	11-1424
7 5/8" Reg	6 5/8" Reg	609	225	197	80	114	50	50	11-1429
10" Beco	10" Beco	305	305	305	120	265	80	35	11-1625



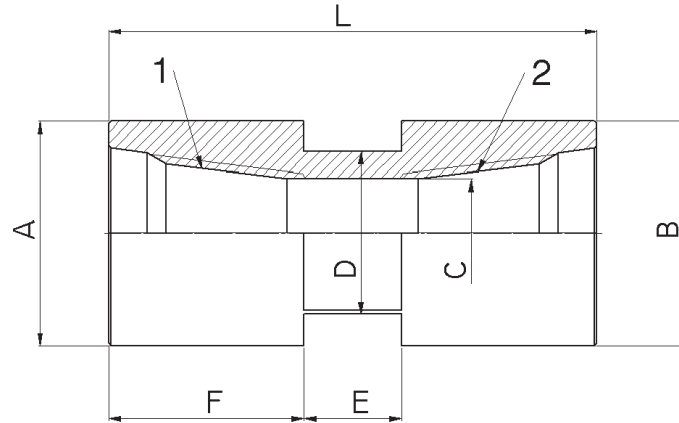
Thread Box 1	Thread Pin 2	Measurements, mm								Product No.
		L	A	B	C	D	E	F	G	
2 3/8" Reg	2 3/8" Reg	500	76	76	30	65	40	17	85	11-1111
2 3/8" Reg	2 3/8" Reg	600	76	76	30	65	40	25	85	11-1290
2 3/8" Reg	RD 70-4	500	89	89	43	65	40	15	85	11-1373
2 3/8" Reg	2 3/8" Reg	380	89	89	30	65	40	17	85	11-1581
2 3/8" Reg	2 3/8" Reg	400	89	89	30	65	40	17	85	11-1316
2 3/8" Reg	2 3/8" Reg	440	89	89	30	65	40	17	85	11-1252
2 3/8" Reg	3 1/2" Reg	600	80	114	43	65	40	45	85	11-1304
2 3/8" IF	2 3/8" IF	1040	89	89	43	70	50	30	100	11-1435
2 3/8" IF	3 1/2" Reg	820	89	114	43	70	50	30	100	11-1434
3 1/2" Reg	3 1/2" Reg	700	114	114	43	95	50	30	90	11-1349
4 1/2" Reg	3 1/2" Reg	650	146	114	43	120/95	50	40	110	11-1328
4 1/2" Reg	4 1/2" Reg	600	140	140	58	120	50	30	105	11-1511



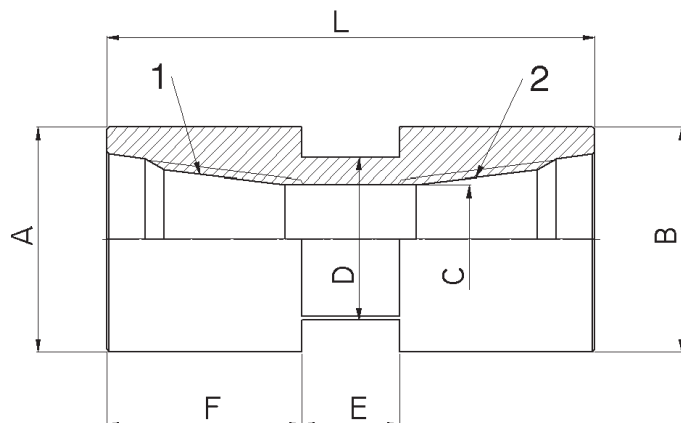
Thread Box 1	Thread Box 2	Measurements, mm							Product No.
		L	A	B	C	D	E	F	
ACT(NWY)	2 3/8" Reg	205	71	76	43	65	40	80	11-1098
ACT(NWY)	2 3/8" IF	220	71	89	43	65	40	80	11-1506
ACT(NWY)	2 7/8" Reg	233	71	89	43	65	40	89	11-1449
ACT(NWY)	4 1/2" Reg	225	76	140	43	120	50	45	11-1645
NC 35	NC 35	240	114	114	58	95	50	95	11-1135
NC 35	3 1/2" IF	240	114	120	58	95	50	95	11-1136
NC 35	4 1/2" Reg	240	114	146	58	120	50	95	11-1137
NC 35	4 1/2" FH	240	114	146	73	120	50	95	11-1138
NC 35	6 5/8" Reg	260	114	197	80	120	50	105	11-1139
RD 50-6	2 3/8" Reg	220	76	76	43	65	40	90	11-1101
RD 50-6	RD 70-4	200	89	89	43	65	40	80	11-1102
RD 50-6	3 1/2" Reg	200	76	115	43	95	50	50	11-1398
RD 70-4	RD 70-4	208	89	89	43	65	40	84	11-1567
RD 70-6	2 3/8" Reg	200	89	89	43	65	40	75	11-1105



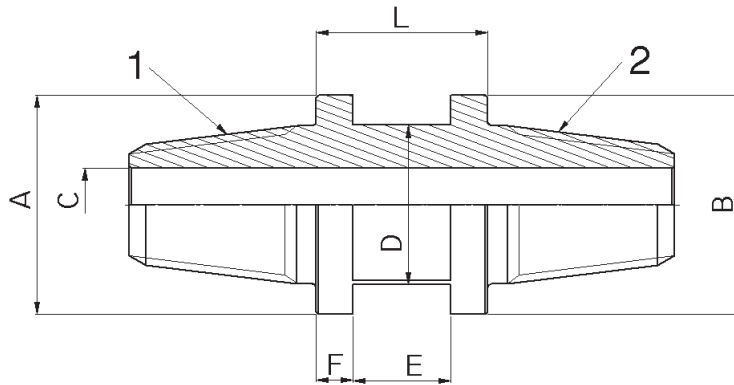
Thread Box 1	Thread Box 2	Measurements, mm							Product No.
		L	A	B	C	D	E	F	
2 3/8" Reg	Haus	200	76	67	43				11-1585
2 3/8" Reg	Holman	190	76	76	38	65	40	85	11-1333
2 3/8" Reg	"N"	205	76	76	43	65	40	85	11-1464
2 3/8" Reg	RD 70-4	190	89	89	43	65	40	75	11-1103
2 3/8" Reg	2 3/8" Reg	200	76	76	43	65	40	80	11-1106
2 3/8" Reg	2 3/8" Reg	200	76	76	43				11-1185
2 3/8" Reg	2 3/8" Reg	200	89	89	43	65	40	80	11-1107
2 3/8" Reg	2 3/8" Reg	203	89	89	43	70	40	83	11-1556
2 3/8" Reg	2 3/8" Reg	380	89	89	43	65	40	245	11-1318
2 3/8" Reg	2 3/8" Reg	420	89	89	43	65	40	75	11-1450
2 3/8" Reg	2 3/8" IF	220	89	89	43	65	40	75	11-1108
2 3/8" Reg	2 3/8" IF	700	89	89	43	65	40	75	11-1269
2 3/8" Reg	2 7/8" Reg	225	89	89	43	65	40	80	11-1109
2 3/8" Reg	2 7/8" IF	220	89	114	43	95	50	75	11-1110
2 3/8" Reg	3 1/2" Reg	210	89	114	43	95	50	80	11-1112
2 3/8" Reg	3 1/2" Reg	250	89	114	43	95	50	80	11-1501
2 3/8" IF	2 3/8" IF	240	89	89	43	65	40	100	11-1113
2 3/8" IF	2 7/8" Reg	245	89	89	43	65	40	100	11-1114
2 3/8" IF	2 7/8" Reg	240	89	89	43	65	40	100	11-1348
2 3/8" IF	3 1/2" Reg	200	89	114	52	95	50	65	11-1115



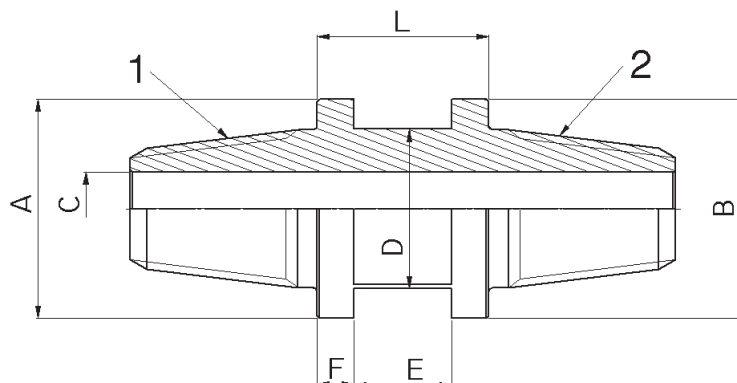
Thread Box 1	Thread Box 2	Measurements, mm							Product No.
		L	A	B	C	D	E	F	
2 7/8" Reg	2 7/8" IF	220	89	114	43	95	50	85	11-1116
2 7/8" Reg	3 1/2" Reg	230	89	114	43	95	50	95	11-1117
2 7/8" Reg	3 1/2" IF	230	89	114	43	95	5	95	11-1118
2 7/8" Reg	4 1/2" Reg	240	89	146	43	120	50	95	11-1119
2 7/8" Reg	4 1/2" FH	240	89	146	43	120	50	95	11-1120
2 7/8" IF	NC 35	220	114	114	63	95	50	75	11-1122
2 7/8" IF	2 7/8" IF	220	114	114	58	95	50	85	11-1574
2 7/8" IF	3 1/2" Reg	220	114	114	58	95	50	85	11-1121
2 7/8" IF	3 1/2" Reg	533	114	114	58	89	102	127	11-1631
3 1/2" Reg	NC 35	220	114	114	58	95	50	85	11-1128
3 1/2" Reg	RD 50-6	180	114	76	43	95	50	85	11-1296
3 1/2" Reg	RD 70-4	180	114	89	58	95	50	85	11-1104
3 1/2" Reg	2 3/8" IF	609	114	89	38	76	63	450	11-1519
3 1/2" Reg	3 1/2" Reg	220	114	114	58	95	50	85	11-1129
3 1/2" Reg	3 1/2" Reg	260	127	127	58	95	50	105	11-1491
3 1/2" Reg	3 1/2" Reg	355	114	114	58	98	63	102	11-1520
3 1/2" Reg	3 1/2" Reg	400	114	114	58	95	50	85	11-1127
3 1/2" Reg	3 1/2" IF	250	127	127	58	95	50	85	11-1130
3 1/2" Reg	3 1/2" IF	260	127	127	58	95	50	80	11-1312
3 1/2" Reg	4 1/2" Reg	240	114	146	58	120	50	85	11-1131
3 1/2" Reg	4 1/2" Reg	240	140	140	58	120	50	70	11-1313
3 1/2" Reg	4 1/2" FH	240	115	146	58	120	50	70	11-1133
3 1/2" Reg	4 1/2" IF	240	115	146	58	120	50	70	11-1132



Thread Box 1	Thread Box 2	Measurements, mm							Product No.
		L	A	B	C	D	E	F	
3 1/2" IF	2 3/8" Reg	230	120	89	43	95	50	125	11-1300
3 1/2" IF	3 1/2" IF	240	120	146	58	120	50	70	11-1140
3 1/2" IF	4 1/2" Reg	240	120	146	79	120	50	70	11-1141
4 1/2" Reg	RD 90-4	240	146	127	58	120	50	100	11-1500
4 1/2" Reg	2 3/8" Reg	225	146	90	43	120	50	90	11-1213
4 1/2" Reg	2 3/8" IF	225	146	89	53	120	50	90	11-1323
4 1/2" Reg	2 7/8" IF	230	146	114	58	120	50	95	11-1123
4 1/2" Reg	4 1/2" Reg	300	146	146	80	120	50	125	11-1210
4 1/2" Reg	4 1/2" FH	300	146	146	80	120	50	125	11-1145
4 1/2" Reg	4 1/2" IF	300	158	158	80	120	50	105	11-1144
4 1/2" Reg	6 5/8" Reg	320	146	193	80	120	50	100	11-1146
4 1/2" FH	6 5/8" Reg	320	146	197	80	120	50	125	11-1147
6 5/8" Reg	2 3/8" Reg	330	197	89	43	65	40	210	11-1214
6 5/8" Reg	2 3/8" IF	351	197	89	43	65	40	210	11-1331
6 5/8" Reg	2 7/8" IF	270	200	114	65	120	50	192	11-1124
6 5/8" Reg	3 1/2" Reg	280	197	120	58	120	50	205	11-1134
6 5/8" Reg	3 1/2" IF	265	197	115	79	120	50	187	11-1142
6 5/8" Reg	4 1/2" IF	300	197	177	106	178	50	125	11-1337
6 5/8" Reg	6 5/8" Reg	300	200	200	120	178	50	125	11-1148
7 5/8" Reg	3 1/2" IF	320	225	120	58	120	50	70	11-1143

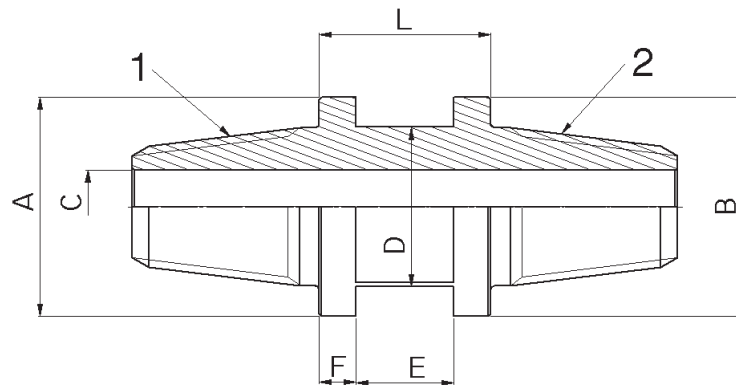


Thread Pin 1	Thread Pin 2	Measurements, mm							Product No.
		L	A	B	C	D	E	F	
ACT(NWY)	ACT(NWY)	90	67	67	30	55	40	25	11-1278
ACT(NWY)	RD 50-6	85	70	70	30	55	40	25	11-1149
ACT(NWY)	2 3/8" Reg	70	76	76	30	65	40	15	11-1150
ACT(NWY)	2 3/8" IF	70	76	76	30	65	40	15	11-1446
ACT(NWY)	3 1/2" Reg	70	114	114	30	95	50	10	11-1151
AWJ	RD 40-6	60	51	51	13	40	40	10	11-1335
NC 35	2 7/8" IF	90	115	115	53	95	50	20	11-1163
NC 35	3 1/2" IF	90	120	120	58	95	50	20	11-1168
RD 40-6	CR 60	90	60	60	20	50	40	25	11-1227
RD 40-6	RD 40-6	90	51	51	22	41	40	25	11-1529
RD 40-6	RD 50-6	90	55	70	22	55	40	25	11-1338
RD 50-6	CR 60	90	76	60	20	65	40	25	11-1255
RD 50-6	RD 50-6	70	60	60	30	48	40	15	11-1627
RD 50-6	RD 50-6	70	70	70	30	65	40	15	11-1152
RD 50-6	2 3/8" Reg	60	76	76	30	65	40	10	11-1153
RD 70-4	RD 70-4	70	89	89	43	65	40	15	11-1154
RD 70-4	RD 70-4	250	89	89	43	65	40	20	11-1630
RD 70-4	RD 70-4	440	89	89	43	65	40	80	11-1155
RD 70-4	2 3/8" Reg	70	89	89	30	65	40	15	11-1156
RD 70-4	2 3/8" Reg	440	89	89	30	65	40	385	11-1438
RD 70-4	2 7/8" IF	92	89	115	43	65	40	15	11-1241
RD 70-4	3 1/2" Reg	97	89	115	43	95	50	22	11-1157

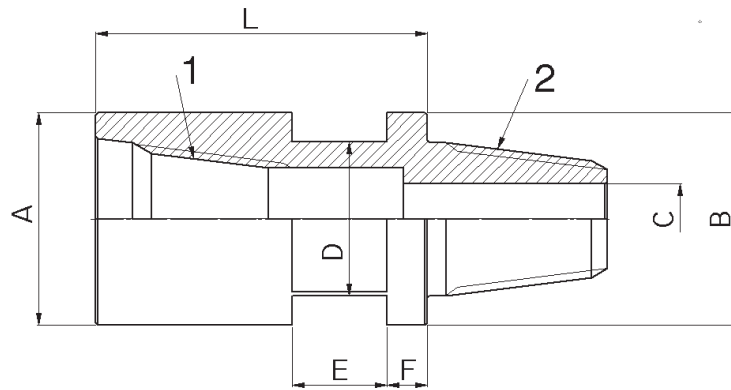


Thread Pin 1	Thread Pin 2	Measurements, mm							Product No.
		L	A	B	C	D	E	F	
2 3/8" Reg	HW	80	89	89	30	65	40	20	11-1508
2 3/8" Reg	RD 40-6	80	76	55	22	65	40	20	11-1307
2 3/8" Reg	2 3/8" Reg	70	76	76	30	65	40	15	11-1311
2 3/8" Reg	2 3/8" Reg	70	89	89	30	65	40	15	11-1158
2 3/8" Reg	2 3/8" Reg	250	89	89	30	65	40	20	11-1510
2 3/8" Reg	2 3/8" Reg	305	89	89	30	65	40	20	11-1288
2 3/8" Reg	2 3/8" IF	80	89	89	30	65	40	20	11-1209
2 3/8" Reg	2 7/8" Reg	70	89	89	30	65	40	15	11-1159
2 3/8" Reg	2 7/8" Reg	70	89	89	30	80	40	15	11-1593
2 3/8" Reg	2 7/8" IF	100	89	114	30	95	50	25	11-1238
2 3/8" IF	2 3/8" IF	70	89	89	43	65	40	15	11-1242
2 3/8" IF	2 7/8" Reg	70	89	89	38	65	40	15	11-1488
2 7/8" Reg	2 7/8" Reg	70	89	89	36	75	40	15	11-1595
2 7/8" Reg	3 1/2" Reg	100	100	115	34	95	50	25	11-1367
2 7/8" Reg	6 5/8" Reg	120	100	178	34	152	50	45	11-1368
2" Z	2" Z	70	76	76	25	65	40	15	11-1562

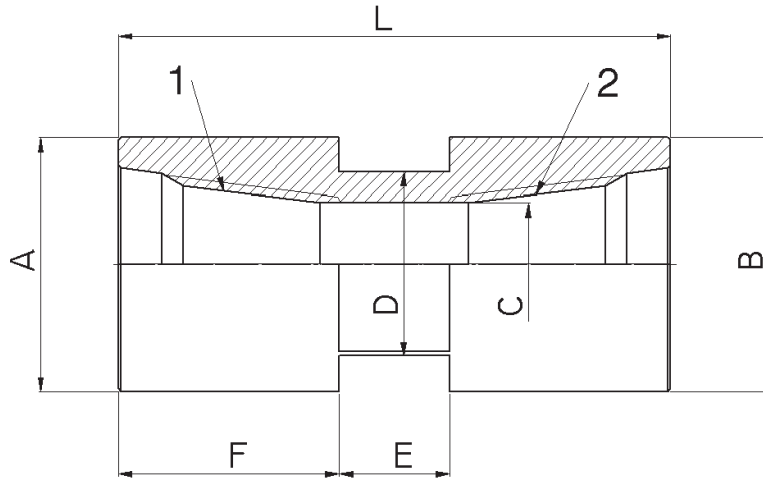




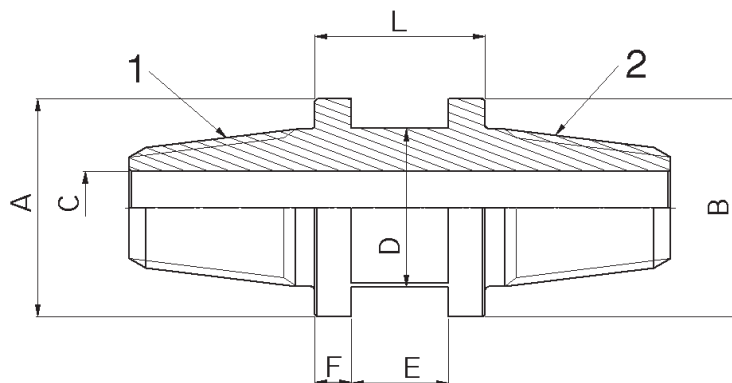
Thread Pin 1	Thread Pin 2	Measurements, mm							Product No.
		L	A	B	C	D	E	F	
3 1/2" Reg	NC 35	90	114	114	43	95	50	20	11-1165
3 1/2" Reg	RD 110-4	100	140	140	43	120	50	25	11-1259
3 1/2" Reg	2 3/8" Reg	97	114	89	30	95	50	23	11-1160
3 1/2" Reg	2 3/8" IF	100	114	89	43	95	50	25	11-1212
3 1/2" Reg	2 7/8" IF	90	114	114	43	95	50	20	11-1162
3 1/2" Reg	3 1/2" Reg	75	114	114	43	95	50	12	11-1387
3 1/2" Reg	3 1/2" Reg	90	114	114	43	95	50	20	11-1164
3 1/2" Reg	3 1/2" Reg	90	127	127	43	95	50	20	11-1536
3 1/2" Reg	3 1/2" Reg	100	120	140	43	120	50	25	11-1180
3 1/2" Reg	3 1/2" IF	90	120	120	43	95	50	20	11-1166
3 1/2" Reg	4 1/2" Reg	100	146	146	43	120	50	25	11-1167
3 1/2" IF	2 3/8" Reg	90	114	89	30	95	50	20	11-1161
3 1/2" IF	2 3/8" IF	100	114	89	43	95	50	25	11-1260
3 1/2" IF	2 7/8" IF	100	114	114	53	95	50	25	11-1125
3 1/2" IF	3 1/2" IF	100	114	114	58	95	50	25	11-1509
3 1/2" IF	6 5/8" Reg	150	120	197	58	178	50	60	11-1169
4 1/2" Reg	4 1/2" Reg	100	140	140	58	120	50	25	11-1170
5 1/2" IF	5 1/2" IF	400	197	197	70				11-1417
6 5/8" Reg	4" IF	560	199	145	76	115	65	430	11-1530



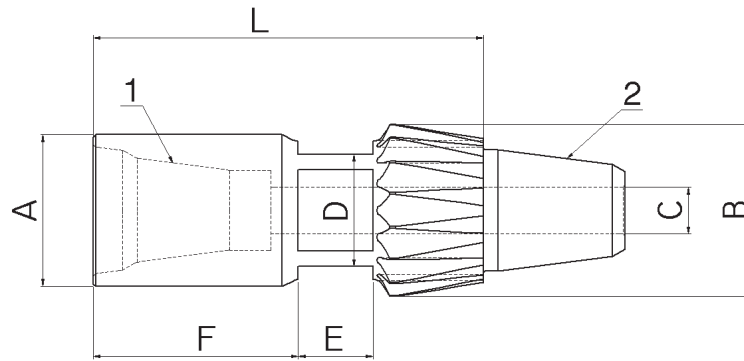
Thread Box 1	Thread Pin 2	Measurements, mm							Product No.
		L	A	B	C	D	E	F	
M62	RD 50-6	275	89	75	30	50	40	200	11-767475
M62	2 3/8" Reg	275	89	75	30	50	50	200	11-798242
M70	RD 50-6	150	89	70	30	50	40	50	11-761500
M70	RD 70-6	111	89	89	36	65	40	11	11-761499
2 3/8" Reg	RD 50-6	165	76	76	30	50	40	110	11-640217
2 3/8" Reg	M62	215	76	76	30	70	25	180	11-687703
2 3/8" Reg	M62	165	89	89	30	80	30	135	11-687218
2 3/8" Reg	M62	215	89	89	30	70	25	190	11-512674
2 7/8" Reg	M62	215	102	102	30	75	30	175	11-502994
3 1/2" Reg	M62	184	114	114	30	95	25	159	11-510992
3 1/2" Reg	M62	215	114	114	30	95	30	175	11-503612



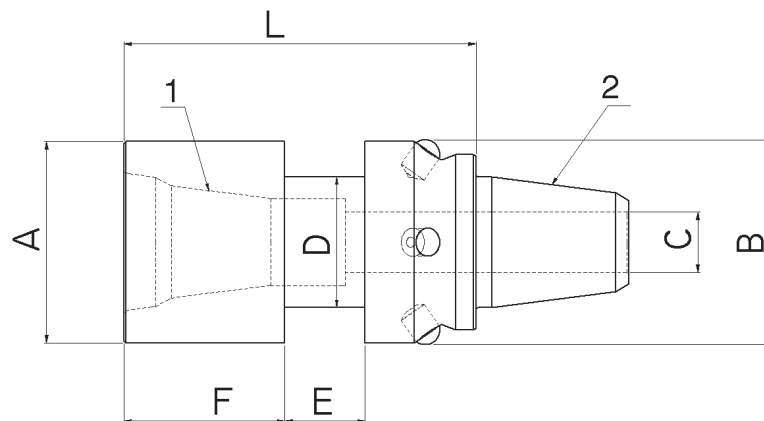
Thread Box 1	Thread Box 2	Measurements, mm							Product No.
		L	A	B	C	D	E	F	
RD 46-6	GG 2"	264	76	76	25	50	40	125	11-640331
RD 46-6	RD 50-6	240	76	76	25	50	40	125	11-640332
RD 46-6	2 3/8" Reg	264	76	76	25	50	40	125	11-798405
2 3/8" Reg	2 3/8" Reg	240	76	76	30	50	40	100	11-640201



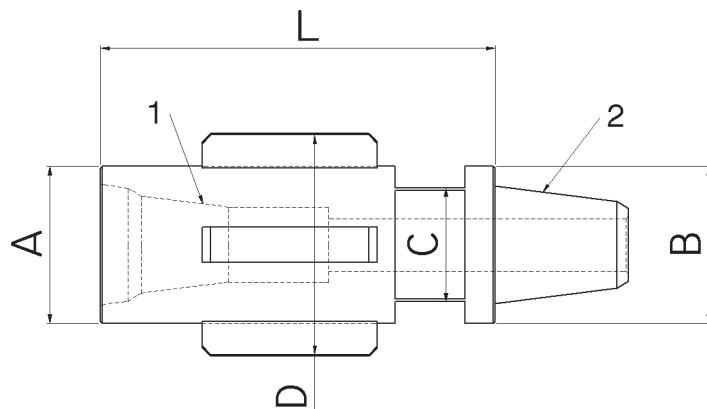
Thread Pin 1	Thread Pin 2	Measurements, mm							Product No.
		L	A	B	C	D	E	F	
GG 2"	GG 2"	100	70	70	25	50	50	25	11-688669
GG 2"	M62	108	70	83	30	55	25	20	11-687254
GG 2"	R 2"	224	76	76	21				11-783325
GG 2 3/8"	R 2"	226	89	89	25				11-783326
TR 52	R 1 1/2"	317	68	68	21				11-670719
2 3/8" Reg	M62	139	76	76	30	70	25	12	11-687702
2 3/8" Reg	M62	89	89	89	30	70	25	20	11-502384
2 3/8" Reg	M62	89	89	89	30	80	25	20	11-687217
2 3/8" Reg	M62	139	89	89	30	70	25		11-512672
2 3/8" Reg	R 2"	226	76	76	30				11-671543
2 3/8" Reg	R 2"	226	83	83	30				11-671455
2 3/8" Reg	R 2"	226	89	89	30				11-671725
2 3/8" Reg	R 3"	226	127	127	30				11-671376
3 1/2" Reg	R 3"	224	114	114	39				11-783327
3 1/2" Reg	R 3"	219	127	127	39				11-783328



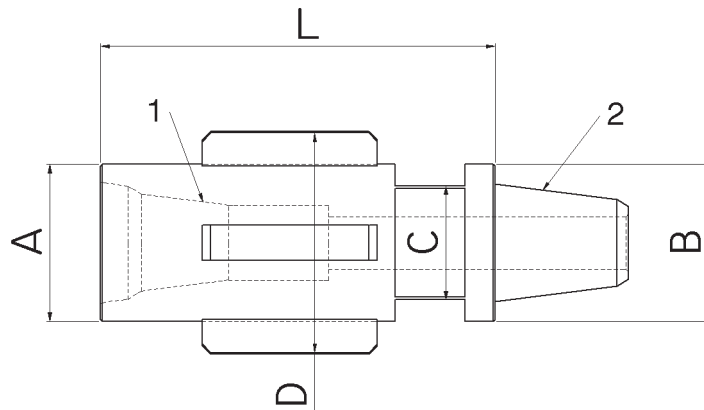
Thread Box 1	Thread Pin 2	Measurements, mm							Product No.
		L	A	B	C	D	E	F	
2 3/8" Reg	2 3/8" Reg	209	81	93	25	60	40	110	11-1371
3 1/2" Reg	3 1/2" Reg	265	115	127	43	95	50	95	11-1633
3 1/2" Reg	3 1/2" Reg	265	115	152	43	95	50	95	11-1649
4 1/2" Reg	4 1/2" Reg	265	146	196	58	120	50	95	11-1651
4 1/2" Reg	4 1/2" Reg	265	146	228	58	120	50	95	11-1652
4 1/2" Reg	4 1/2" Reg	265	146	266	58	120	50	95	11-1650



Thread Box 1	Thread Pin 2	Measurements, mm							Product No.
		L	A	B	C	D	E	F	
2 3/8" Reg	2 3/8" Reg	175	82	82	30	65	40	80	11-1302
2 3/8" Reg	2 3/8" Reg	175	89	92	30	65	40	80	11-1699
2 3/8" Reg	2 3/8" Reg	175	100	102	30	65	40	80	11-1700
2 3/8" Reg	2 3/8" Reg	175	98	105	30	65	40	80	11-1276
3 1/2" Reg	3 1/2" Reg	200	114	117	43	95	50	90	11-1701

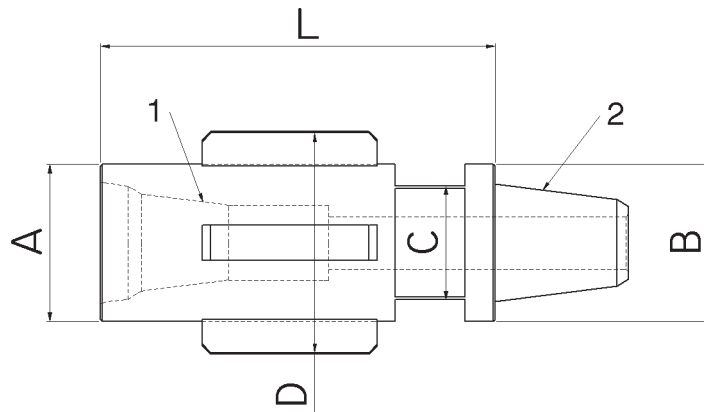

**För Odex/Tubex borrning / For Odex/Tubex drilling**

Thread Box 1	Thread Pin 2	Measurements, mm					Product No.
		L	A	B	C	D	
2 3/8" Reg	2 3/8" Reg	225	89	89	65	101	16-1001
2 3/8" Reg	2 3/8" Reg	225	89	89	65	127	16-1002
2 3/8" Reg	2 3/8" Reg	225	89	89	65	151	16-1003
2 3/8" Reg	2 3/8" Reg	225	89	89	65	177	16-1063
2 3/8" Reg	2 3/8" Reg	350	89	89	65	177	16-1140
2 3/8" Reg	2 3/8" Reg	225	89	89	65	202	16-1099
2 3/8" IF	2 3/8" IF	225	89	89	65	151	16-1101
3 1/2" Reg	2 3/8" Reg	300	114	89	65	151	16-1011
3 1/2" Reg	2 3/8" Reg	300	114	89	65	156	16-1047
3 1/2" Reg	2 3/8" Reg	300	114	89	65	177	16-1012
3 1/2" Reg	2 3/8" Reg	300	114	89	65	200	16-1013
3 1/2" Reg	2 3/8" Reg	300	114	89	65	202	16-1054
3 1/2" Reg	3 1/2" Reg	250	114	114	95	151	16-1004
3 1/2" Reg	3 1/2" Reg	250	114	114	95	177	16-1005
3 1/2" Reg	3 1/2" Reg	250	114	114	95	189	16-1089
3 1/2" Reg	3 1/2" Reg	250	114	114	95	200	16-1061
3 1/2" Reg	3 1/2" Reg	250	114	114	95	202	16-1006
3 1/2" Reg	3 1/2" Reg	300	114	114	95	247	16-1084
3 1/2" Reg	3 1/2" Reg	300	114	114	95	255	16-1083
3 1/2" Reg	3 1/2" Reg	300	114	114	95	295	16-1008
3 1/2" Reg	3 1/2" Reg	300	114	114	95	375	16-1143



För Odex/Tubex borrning / For Odex/Tubex drilling

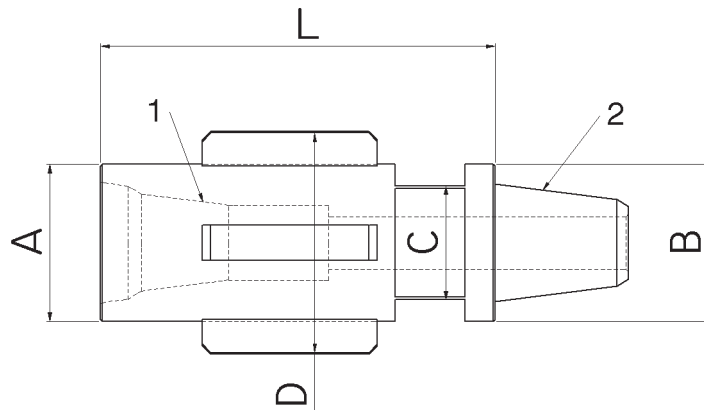
Thread Box 1	Thread Pin 2	Measurements, mm					Product No.
		L	A	B	C	D	
4 1/2" Reg	3 1/2" Reg	235	146	114	95	202	16-1097
4 1/2" Reg	3 1/2" Reg	235	146	114	95	247	16-1082
4 1/2" Reg	3 1/2" Reg	235	146	114	95	255	16-1081
4 1/2" Reg	3 1/2" Reg	235	146	114	95	295	16-1092
4 1/2" Reg	4 1/2" Reg	317	140	140	120	247	16-1100
4 1/2" Reg	4 1/2" Reg	317	140	140	120	255	16-1078
4 1/2" Reg	4 1/2" Reg	317	140	140	120	295	16-1079
4 1/2" Reg	4 1/2" Reg	317	140	140	120	376	16-1120
6 5/8" Reg	6 5/8" Reg	318	197	197	178	310	16-1096
6 5/8" Reg	6 5/8" Reg	318	197	197	178	375	16-1075



För precisionsborrning / For precision drilling

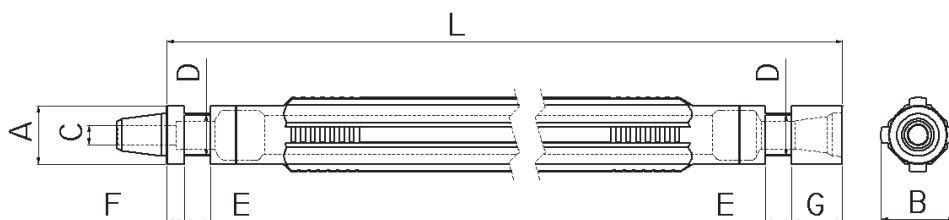
Thread Box 1	Thread Pin 2	Measurements, mm					Product No.
		L	A	B	C	D	
2 3/8" Reg	2 3/8" Reg	225	89	89	65	114	16-1050
2 3/8" Reg	2 3/8" Reg	225	89	89	65	139	16-1056
2 3/8" Reg	2 3/8" Reg	225	89	89	65	164	16-1057
2 3/8" Reg	2 3/8" Reg	225	89	89	65	170	16-1086
2 3/8" Reg	2 3/8" Reg	225	89	89	65	179	16-1064
2 3/8" Reg	2 3/8" Reg	225	89	89	65	207	16-1126
2 3/8" Reg	2 3/8" Reg	225	89	89	65	235	16-1077
3 1/2" Reg	2 3/8" Reg	300	114	89	65	139	16-1051
3 1/2" Reg	2 3/8" Reg	300	114	89	65	164	16-1052
3 1/2" Reg	2 3/8" Reg	300	114	89	65	182	16-1048
3 1/2" Reg	2 3/8" Reg	300	114	89	65	189	16-1053
3 1/2" Reg	2 3/8" Reg	300	114	89	65	202	16-1054
3 1/2" Reg	2 3/8" Reg	300	114	89	65	205	16-1049
3 1/2" Reg	3 1/2" Reg	250	114	114	95	139	16-1058
3 1/2" Reg	3 1/2" Reg	600	114	114	95	139	16-1139
3 1/2" Reg	3 1/2" Reg	250	114	114	95	164	16-1059
3 1/2" Reg	3 1/2" Reg	300	114	114	95	164	16-1136
3 1/2" Reg	3 1/2" Reg	600	114	114	95	164	16-1137
3 1/2" Reg	3 1/2" Reg	250	114	114	95	179	16-1062
3 1/2" Reg	3 1/2" Reg	250	114	114	95	185	16-1095
3 1/2" Reg	3 1/2" Reg	250	114	114	95	214	16-1060





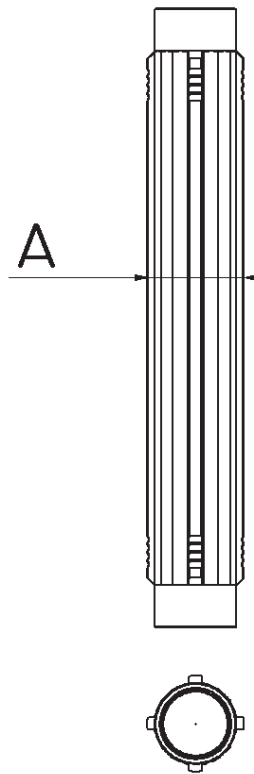
För precisionsborrning / For precision drilling

Thread Box 1	Thread Pin 2	Measurements, mm					Product No.
		L	A	B	C	D	
3 1/2" Reg	3 1/2" Reg	300	114	114	95	250	16-1104
3 1/2" Reg	3 1/2" Reg	300	114	114	95	300	16-1114
3 1/2" Reg	3 1/2" Reg	300	114	114	95	302	16-1007
3 1/2" Reg	3 1/2" Reg	300	114	114	95	325	16-1141
3 1/2" Reg	3 1/2" Reg	300	114	114	95	334	16-1111
3 1/2" Reg	3 1/2" Reg	300	114	114	95	343	16-1094
3 1/2" Reg	3 1/2" Reg	300	114	114	95	348	16-1087
3 1/2" Reg	3 1/2" Reg	300	114	114	95	475	16-1142
4 1/2" Reg	3 1/2" Reg	420	146	114	95	212	16-1144
4 1/2" Reg	3 1/2" Reg	235	146	114	95	219	16-1125
4 1/2" Reg	3 1/2" Reg	235	146	114	95	330	16-1107
4 1/2" Reg	3 1/2" Reg	235	146	114	95	350	16-1085
4 1/2" Reg	3 1/2" Reg	235	146	114	95	385	16-1088
4 1/2" Reg	4 1/2" Reg	317	140	140	120	216	16-1109
4 1/2" Reg	4 1/2" Reg	317	140	140	120	305	16-1113
4 1/2" Reg	4 1/2" Reg	317	140	140	120	330	16-1103
6 5/8" Reg	6 5/8" Reg	318	197	197	178	305	16-1093

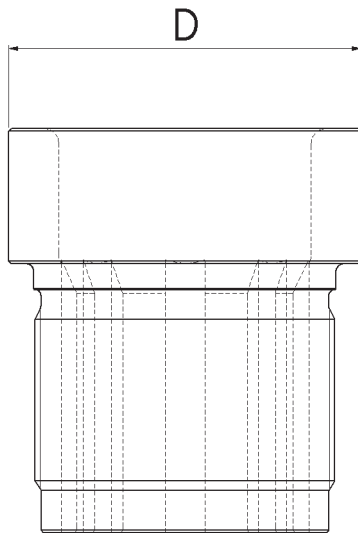


OD A	OD B	Length L	Weight Kg	Measurements, mm					Thread type	Product No.
				C	D	E	F	G		
76	111	3000	109	30	65	40	27	85	2 3/8" Reg	10-5032
89	105	1500	43	30	65	40	27	78	2 3/8" Reg	10-5068
89	110	1500	49	30	65	40	27	78	2 3/8" Reg	10-5029
89	113	1500	50	30	65	40	27	78	2 3/8" Reg	10-5026
89	114	1500	50	30	65	40	27	78	2 3/8" Reg	10-5015
89	139	1500	61	30	65	40	27	78	2 3/8" Reg	10-5016
89	119	1500	58	36	65	40	27	110	2 7/8" Reg	10-5067
89	129	1800	70	36	65	40	27	110	2 7/8" Reg	10-5062
114	139	1500	79	43	95	50	30	75	3 1/2" Reg	10-5018
114	139	2000	132	43	95	50	30	75	3 1/2" Reg	10-5025
114	140	1500	79	43	95	50	30	75	3 1/2" Reg	10-5022
114	164	1500	87	43	95	50	30	75	3 1/2" Reg	10-5019
114	164	2000	142	43	95	50	30	75	3 1/2" Reg	10-5023
114	164	3000	170	43	95	50	30	75	3 1/2" Reg	10-5064
140	158	2000	96	43	125	50		95	4" Z	10-5043
140	160	2000	100	43	125	50		95	4" Z	10-5042
140	162	2000	104	43	125	50		95	4" Z	10-5041
168	210	2000	212	43	125	50		95	4" Z	10-5060
168	212	2000	216	43	125	50		95	4" Z	10-5061
168	245	2000	248	43	125	50		95	4" Z	10-5065
168	248	2000	250	43	125	50		95	4" Z	10-5066

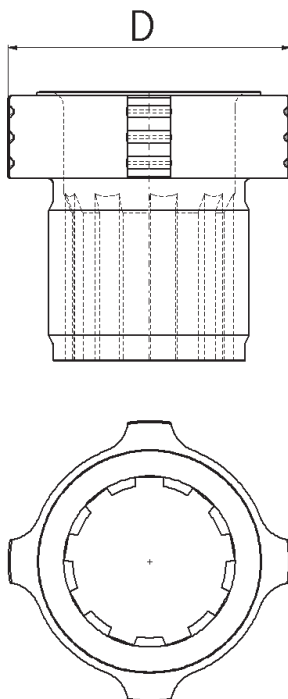
Ytterrör / Wear sleeves  
Med styrning / With guiding



Hammer	A, mm	Product No.
DHD 350R	130	15-1009
DHD 350R	139	15-1003
DHD 360	164	15-1004
DHD 380	203	15-1010
SF6	164	15-1005
COP 42	110	15-1019
COP 42	111	15-1018
COP 42	112	15-1017
COP 42	113	15-1016
COP 42	114	15-1001
COP 44	105	15-1020
COP 44	114	15-1006
COP 44	124	15-1021
COP 54	139	15-1007
COP 54	141	15-1023
COP 62	164	15-1002
COP 64	164	15-1008
COP 64	166	15-1022

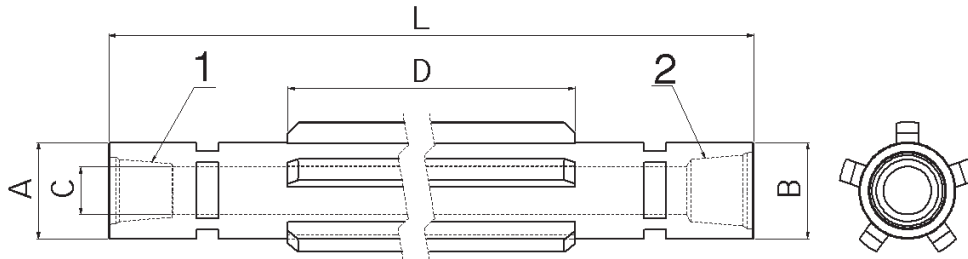
**Chuck  
Standard**


Hammer	A, mm	Product No.
DHD 340A		15-1223
DHD 350R	116	15-1215
DHD 350R	125	15-1216
DHD 360		15-1217
COP 32		15-1149
COP 42		15-1219
COP 44		15-1132
COP 52		15-1137
COP 54		15-1133
COP 62		15-1148
COP 64		15-1131
QL-5		15-1221
Mincon 5"		15-1155

**Chuck  
Med styrning / With guiding**


Hammer	A, mm	Product No.
DHD 350R	139	15-1134
DHD 350R	170	15-1156
DHD 360	164	15-1126
DHD 360	214	15-1129
DHD 380	203	15-1136
DHD 380	215	15-1158
COP 42	114	15-1120
COP 44	105	15-1153
COP 44	114	15-1121
COP 44	118	15-1141
COP 54	139	15-1122
COP 62	164	15-1124
COP 62	214	15-1125
COP 64	164	15-1123
QL-5	124	15-1128
QL-5	139	15-1151

## Bottom hole type

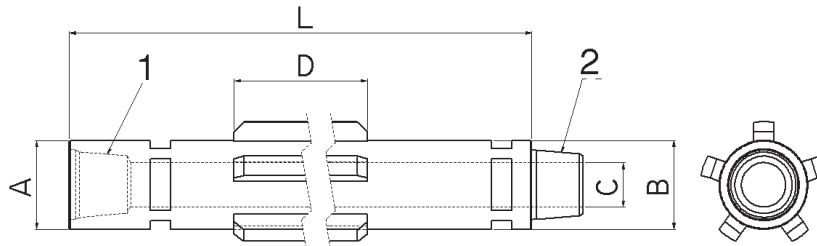


Hole size	Thread type 1	Thread type 2	OD A	OD B	Length L	C	D	Weight Kg	Product No.
7 7/8"	3 1/2" IF	4 1/2" Reg	140	140	1220	65	254	191	12-1229
8 1/2"	3 1/2" IF	4 1/2" Reg	140	140	1220	65	254	205	12-1230
9 7/8"	3 1/2" IF	6 5/8" Reg	140	203	1525	65	711	300	12-1234
10 5/8"	3 1/2" IF	6 5/8" Reg	140	203	1525	65	711	315	12-1235
12"	3 1/2" IF	6 5/8" Reg	140	200	2438	65	1524	587	12-1256
12 1/4"	3 1/2" IF	6 5/8" Reg	140	203	1525	65	711	350	12-1237
12 1/4"	6 5/8" Reg	6 5/8" Reg	203	203	1525	65	711	355	12-1248
12 1/4"	6 5/8" Reg	6 5/8" FH	219	219	1525	109	711	380	12-1252
14 3/4"	6 5/8" Reg	6 5/8" Reg	203	203	1525	65	711	407	12-1249
14 3/4"	7 5/8" Reg	6 5/8" FH	219	219	1525	109	711	420	12-1253
17 1/2"	6 5/8" Reg	6 5/8" Reg	203	203	1525	65	711	459	12-1250
17 1/2"	7 5/8" Reg	6 5/8" FH	219	219	1525	109	711	469	12-1254
24"	7 5/8" Reg	6 5/8" FH	219	219	1525	109	711	584	12-1255

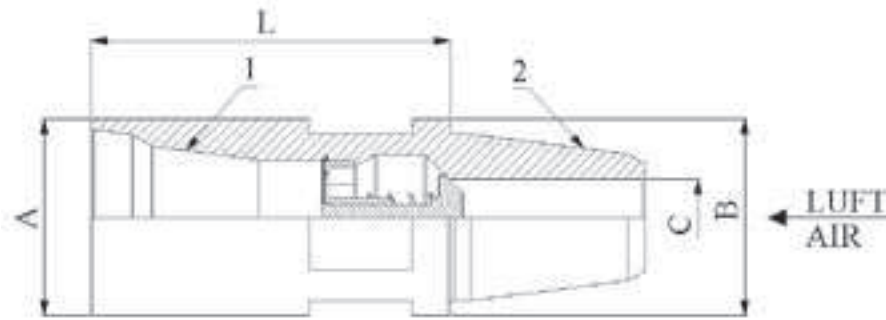
Stabilizer med Box x Box gänga är förberedda för Baker backventil, dessa måste beställas separat.

Stabilizer in Bottom hole types are prepared for Baker float valve, those have to be ordered separately.

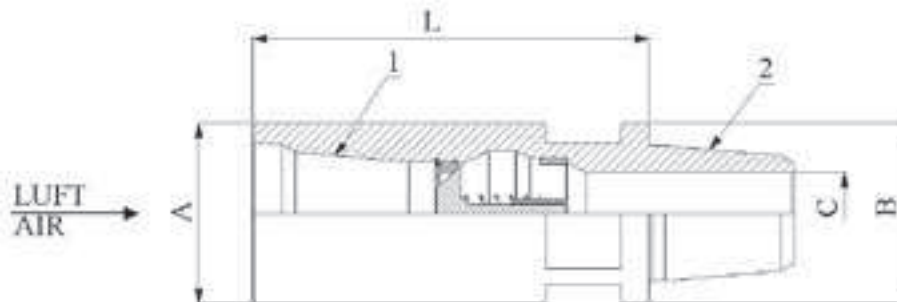
## String type



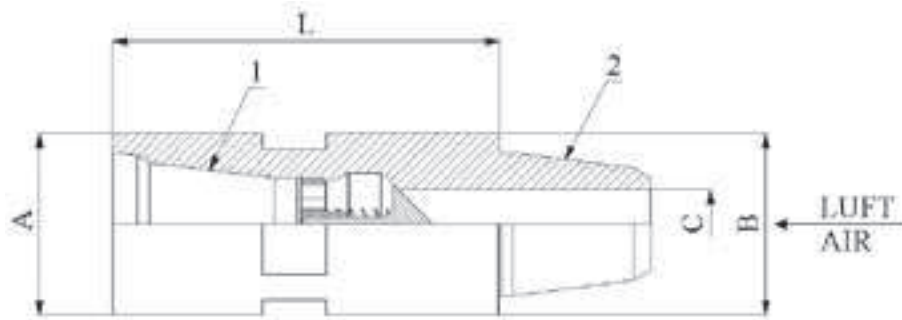
Hole size	Thread type 1	Thread type 2	OD A	OD B	Length L	C	D	Weight Kg	Product No.
3"	NWY	NWY	67	67	1000	30	400	100	12-1262
7 1/2"	4 1/2" Reg	3 1/2" Reg	140	140	1000	43	500	129	12-1280
7 7/8"	3 1/2" IF	3 1/2" IF	140	140	1220	65	558	189	12-1205
8"	2 3/8" IF	2 3/8" IF	140	140	1448	43	1000	206	12-1257
8"	4 1/2" Reg	3 1/2" Reg	140	140	1000	43	500	136	12-1279
8 1/2"	3 1/2" Reg	3 1/2" Reg	140	140	1220	43	558	164	12-1503
8 1/2"	3 1/2" IF	3 1/2" IF	140	140	1220	65	558	198	12-1206
9 5/8"	4 1/2" Reg	4 1/2" Reg	140	140	1220	58	550	176	12-1275
10 5/8"	6 5/8" Reg	6 5/8" Reg	200	200	1500	80	711	355	12-1271
12 1/4"	6 5/8" Reg	6 5/8" Reg	200	200	1525	65	711	410	12-1263
12 1/4"	6 5/8" FH	6 5/8" FH	219	219	1525	109	711	397	12-1265
14 3/4"	6 5/8" FH	6 5/8" FH	219	219	1525	109	711	442	12-1266
17 1/2"	6 5/8" FH	6 5/8" FH	219	219	1525	109	711	491	12-1267
24"	6 5/8" FH	6 5/8" FH	219	219	1525	109	711	606	12-1268



Thread Box (1)	Thread Pin (2)	Measurements, mm				Check valve	Product No.
		L	A	B	C		
RD 70-4	RD 70-4	170	89	89	30	FA D30	13-1088
2 3/8" Reg	2 3/8" Reg	140	76	76	30	FA D30	13-1068
2 3/8" Reg	2 3/8" Reg	140	89	89	30	FA D30	13-1074
2 3/8" IF	2 3/8" IF	197	89	89	30	FA D30	13-1089
2 7/8" Reg	2 7/8" Reg	170	89	89	30	FA D30	13-1090



Thread Box (1)	Thread Pin (2)	Measurements, mm				Check valve	Product No.
		L	A	B	C		
RD 70-4	RD 70-4	160	89	89	30	FA D30R	13-1091
2 3/8" Reg	2 3/8" Reg	140	76	76	30	FA D30R	13-1092
2 3/8" Reg	2 3/8" Reg	140	89	89	30	FA D30R	13-1093

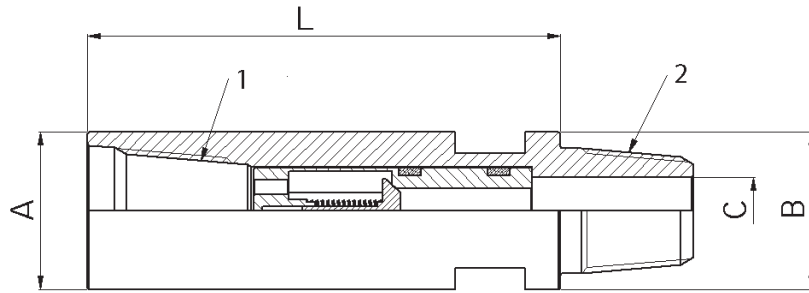


Thread Box (1)	Thread Pin (2)	Measurements, mm				Check valve	Product No.
		L	A	B	C		
3 1/2" Reg	3 1/2" Reg	210	114	114	43	FA D43	13-1094
3 1/2" Reg	3 1/2" Reg	210	127	127	43	FA D43	13-1095
3 1/2" Reg	3 1/2" Reg	210	140	140	43	FA D43	13-1096
4 1/2" Reg	3 1/2" Reg	230	140	140	43	FA D43	13-1097



Thread Box (1)	Thread Pin (2)	Measurements, mm				Check valve	Product No.
		L	A	B	C		
3 1/2" Reg	3 1/2" Reg	230	114	114	43	FA D43R	13-1098
3 1/2" Reg	3 1/2" Reg	230	127	127	43	FA D43R	13-1099
3 1/2" Reg	3 1/2" Reg	230	140	140	43	FA D43R	13-1200
4 1/2" Reg	3 1/2" Reg	260	140	140	43	FA D43R	13-1201

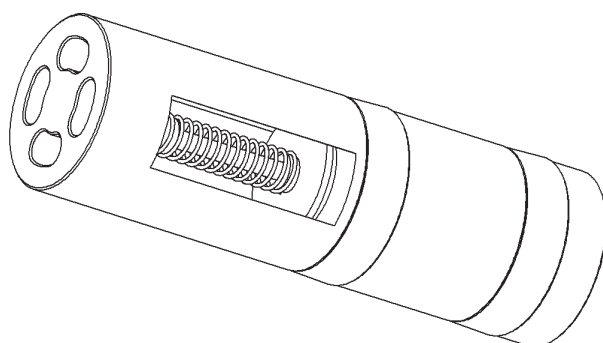
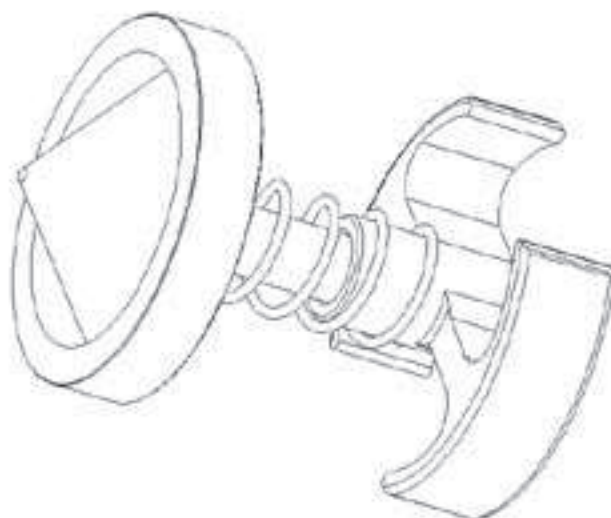
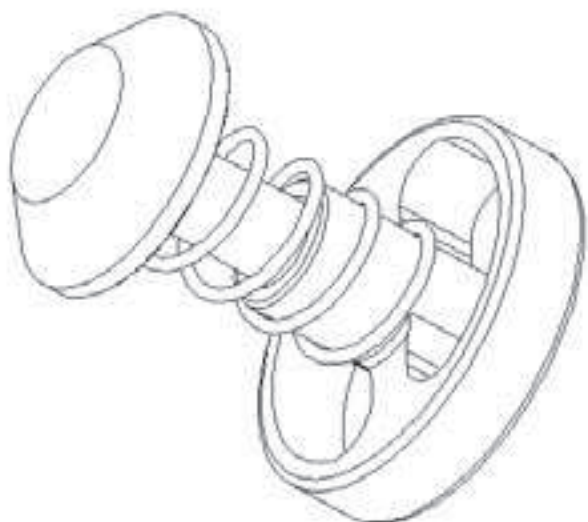


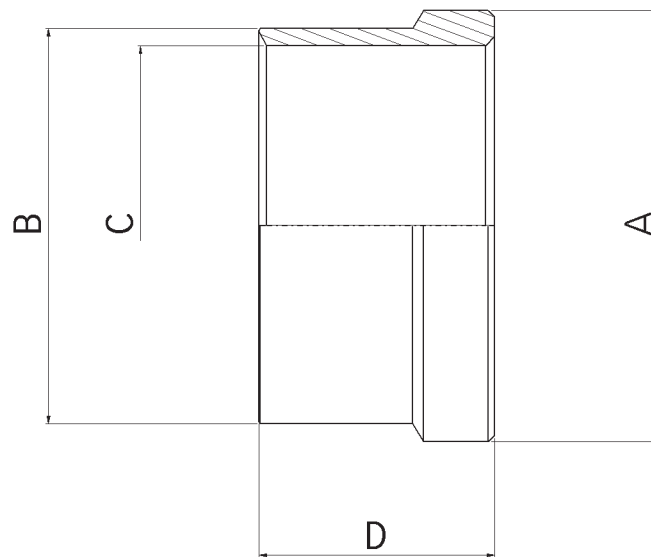


Thread Box (1)	Thread Pin (2)	Measurements, mm				Check valve	Product No.
		L	A	B	C		
2 3/8" IF	2 3/8" IF	270	89	89	38	1F-2R	13-1025
2 7/8" IF	2 7/8" IF	300	114	114	47	2F-3R	13-1023
3 1/2" Reg	3 1/2" Reg	300	114	114	47	2F-3R	13-1026
6 5/8" Reg	4" FH	609	197	140	58	5F-6R	13-1060
6 5/8" Reg	6 5/8" Reg	609	197	197	80	5F-6R	13-1056
7 5/8" Reg	6 5/8" Reg	609	225	200	80	5F-6R	13-1055
NC35	NC35	300	114	114	47	2F-3R	13-1202
4 1/2 Reg	4 1/2 Reg	350	140	140	47	2F-3R	13-1203

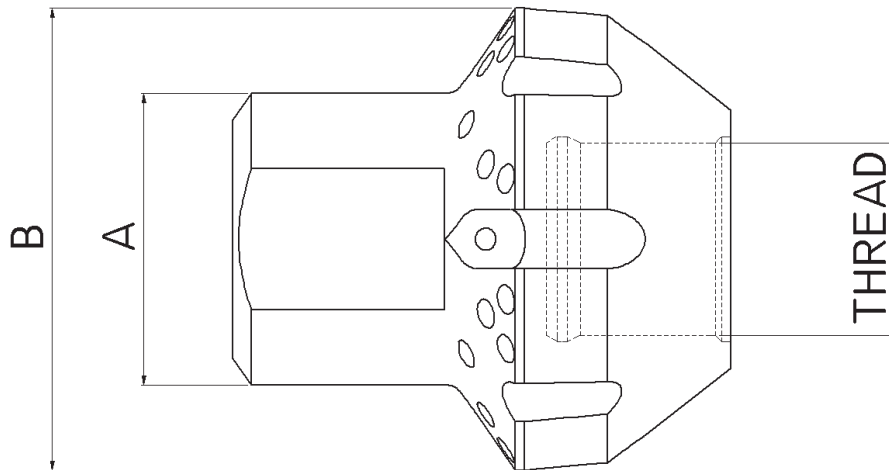
## Reparationssetter Repair kit

Typ av backventil Type of in line check valve	Product No.
1F-2R	13-1054
2F-3R	13-1053
5F-6R	13-1022
FA D30	13-5012
FA D30R	13-5015
FA D43	13-5014
FA D43R	13-5013



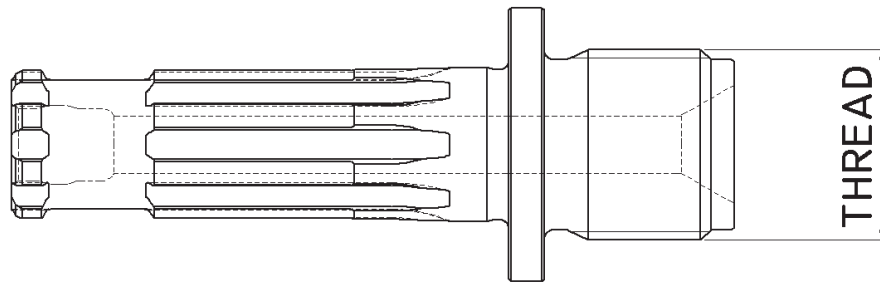


Type	Measurements, mm				Product No.	
	A	B	C	D	Light duty	Heavy duty
Tubex 90	114,3	101,5	93,0	80,0	14-1015	14-1016
Tubex 90	114,3	105,5	93,0	80,0	14-1041	14-1042
Tubex 115	139,7	128,0	117,5	76,5	14-1017	14-1018
Tubex 115	139,7	131,0	117,5	76,5	14-1043	14-1044
Tubex 140	168,3	156,5	143,5	90,0	14-1019	14-1020
Tubex 140	168,3	158,0	143,5	90,0	14-1045	14-1046
Tubex 140	168,3	159,0	142,2	90,0	14-1139	
Tubex 165	193,7	182,0	170,0	90,0	14-1021	14-1022
Tubex 190	219,1	205,0	193,0	110,0	14-1023	14-1024
Tubex 190	219,1	205,0	193,0	110,0	14-1049	14-1050
Tubex 240	273,1	258,0	242,0	110,0	14-1025	14-1026
Tubex 240	273,1	261,4	242,0	110	14-1144	



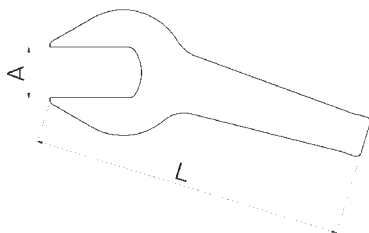
OD A	OD B	Thread type	Product No.
96	295	#150	21-2125
96	305	#150	21-2119
108	160	#80	21-2002
108	165	#80	21-2005
108	178	#80	21-2001
134	180	#110	21-2100
134	203	#110	21-2102
134	214	#110	21-2011
134	216	#110	21-2007
135	238	#110	21-2110
135	243	#110	21-2109
158	198	#110	21-2126
158	216	#110	21-2008
158	251	#110	21-2128
158	254	#110	21-2065
158	280	#150	21-2122
158	283	#150	21-2121
158	305	#150	21-2010
158	311	#180	21-2129

OD A	OD B	Thread type	Product No.
195	305	#150	21-2116
198	327	#150	21-2124
198	330	#150	21-2123
200	375	#150	21-2130
208	280	#150	21-2095
208	305	#150	21-2019
208	355	#150	21-2012
210	278	#150	21-2111
210	282	#150	21-2112
210	285	#150	21-2113
247	305	#150	21-2064
247	355	#150	21-2022
290	355	#150	21-2056
290	355	#180	21-2118
295	381	#150	21-2045
345	406	#180	21-2013
345	445	#220	21-2063
440	500	#220	21-2115



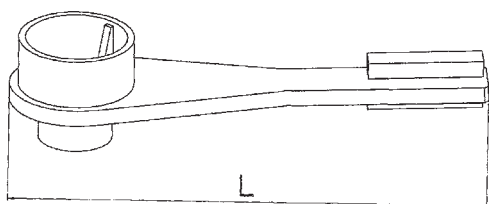
Hammare/ Hammer	Thread type	Product No.
COP 42	#70	21-1005
COP 42	#80	21-1001
IR QL-5	#110	21-1068
COP 62	#80	21-1006
COP 62	#110	21-1007
COP 62	#150	21-1008
DHD 340A	#70	21-1015
DHD 340A	#80	21-1016
DHD 350R	#70	21-1002
DHD 350R	#80	21-1017
DHD 350R	#110	21-1018
DHD 360	#80	21-1002
DHD 360	#110	21-1004
DHD 360	#150	21-1019
DHD 380	#110	21-1009

Hammare/ Hammer	Thread type	Product No.
DHD 380	#150	21-1010
DHD 380	#180	21-1011
DHD 380	#220	21-1025
DHD 112A	#180	21-1032
DHD 112A	#220	21-1014
Mission B53- 15	#80	21-1020
Mission B53- 15	#110	21-1021
Mission B53- 15	#150	21-1022
Mission A63- 15	#110	21-1032
Mission A63- 15	#150	21-1024
Mission A63- 15	#220	21-1030
Mach 80	#150	21-1067
SD 12	#220	21-1013
Numa 100	#180	21-1031

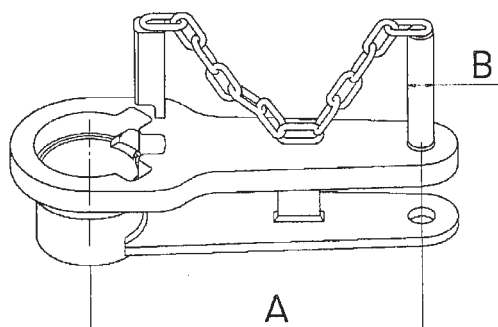


A	L	Product No.
32,5	450	17-1001
38	450	17-1053
45	450	17-1049
48	450	17-1072
50	450	17-1058
55	450	17-1002
65	450	17-1003
70	450	17-1004
75	450	17-1005
90	500	17-1028
95	500	17-1006
100	500	17-1052

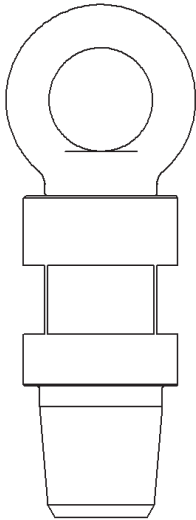
A	L	Product No.
102	500	17-1027
105	500	17-1047
110	500	17-1036
120	550	17-1007
127	550	17-1068
130	550	17-1048
140	600	17-1008
150	600	17-1055
175	700	17-1009
178	700	17-1010
220	725	17-1011



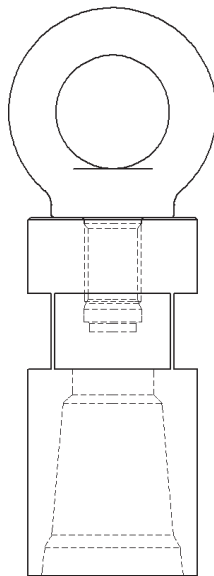
Kronidia			
Odex/ Tubex	Bit size mm	L	Product No.
76	64-76	580	17-1019
90	76-90	580	17-1020
	85-100	580	17-1021
115	105-115	580	17-1022
140	127-140	600	17-1023
165	150-165	620	17-1024
190	178-190	650	17-1025
215	203-215	700	17-1026
240	220-250		17-1038



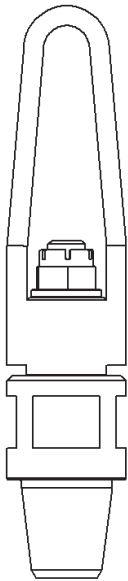
Styrning/Guide device			
Odex/ Tubex	A	B	Product No.
90	310	25	17-1012
115	310	25	17-1013
140	365	25	17-1014
165	345	25	17-1015
190	370	25	17-1016
215	385	25	17-1017
240	405	25	17-1018



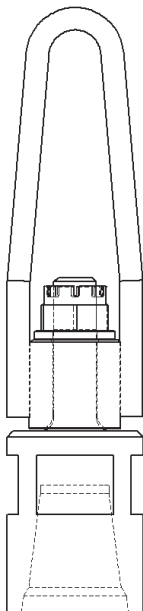
Thread type	Product No.
2 3/8" Reg	22-1201
2 3/8" IF	22-1202
2 7/8" Reg	22-1203
2 7/8" IF	22-1204
3 1/2" Reg	22-1205
NC 35	22-1206
3 1/2" IF	22-1207
4 1/2" Reg	22-1208
4 1/2" FH	22-1209
6 5/8" Reg	22-1210



Thread type	Product No.
2 3/8" Reg	22-1211
2 3/8" IF	22-1212
2 7/8" Reg	22-1213
2 7/8" IF	22-1214
3 1/2" Reg	22-1215
NC 35	22-1216
3 1/2" IF	22-1217
4 1/2" Reg	22-1218
4 1/2" FH	22-1219
4 1/2" IF	22-1225
6 5/8" Reg	22-1220

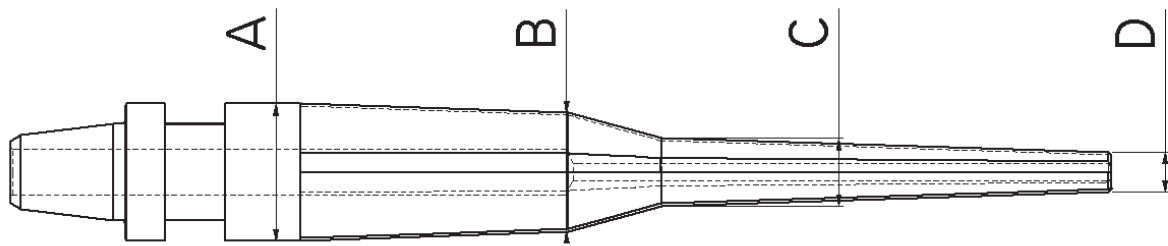


Thread type	Product No.
2 3/8" Reg	22-1011
2 3/8" IF	22-1012
2 7/8" Reg	22-1013
2 7/8" IF	22-1014
3 1/2" Reg	22-1015
NC 35	22-1016
3 1/2" IF	22-1017
4 1/2" Reg	22-1018
4 1/2" FH	22-1019
6 5/8" Reg	22-1020

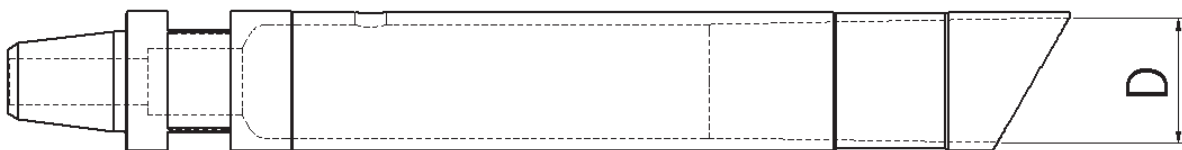


Thread type	Product No.
2 3/8" Reg	22-1002
2 3/8" IF	22-1003
2 7/8" Reg	22-1004
2 7/8" IF	22-1005
3 1/2" Reg	22-1001
NC 35	22-1006
3 1/2" IF	22-1007
4 1/2" Reg	22-1008
4" FH	22-1009
6 5/8" Reg	22-1010

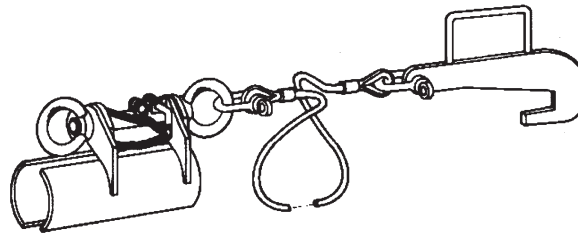




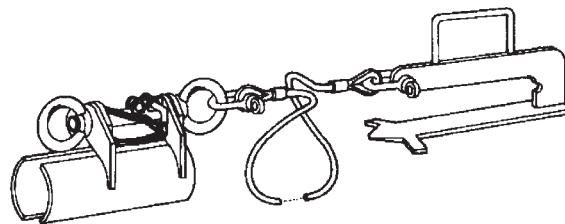
Pin connection	A	B	C	D	Product No.
2 3/8" Reg	91	75	45	26	22-1041
3 1/2" Reg	114	76	60	34	22-1042
NC 35	114	76	60	34	22-1156
LT 425	133	110	90	48	22-1423



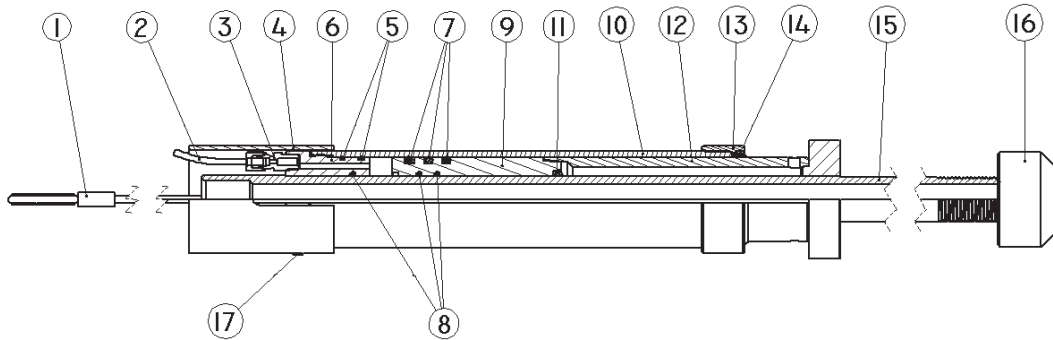
Pin connection	D, mm	For catching	Product No.
2 3/8" Reg	81,5	Borrör/Drilltube OD 76 mm	22-1043
2 3/8" Reg	94	Borrör/Drilltube OD 89 mm	22-1044
3 1/2" Reg	120	Borrör/Drilltube OD 114 mm	22-1046
LT 425	140	Borrör/Drilltube OD 133 mm	22-1422
2 7/8" IF	148	Borrör/Drilltube OD 140 mm	22-1152
4 1/2" Reg	144	Borrör/Drilltube OD 140 mm	22-1085
2 7/8" IF	175	Borrör/Drilltube OD 165 mm	22-1153
2 7/8" IF	220	Borrör/Drilltube OD 203 mm	22-1154
2 7/8" IF	239	Borrör/Drilltube OD 230 mm	22-1155
2 3/8" Reg	100	COP 44	22-1158
3 1/2" Reg	124	COP 54	22-1159
3 1/2" Reg	148	COP 64	22-1047



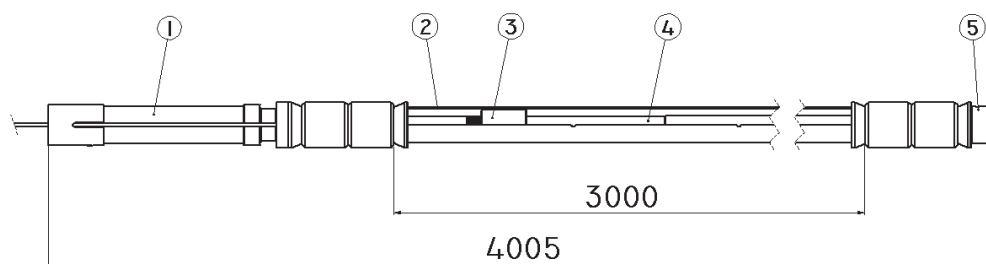
OD, mm	Drilltube	Collar	Lenght,m	Product No.
89	X		3	22-1048
89	X		6	22-1049
114	X		3	22-1050
114	X		6	22-1051
114	X		7,62	22-1073
114		X	3	22-1052
127		X	3	22-1062
127		X	6	22-1053
140		X	3	22-1075
140		X	6	22-1054
159		X	3	22-1066
200		X	3	22-1076
200		X	6	22-1055



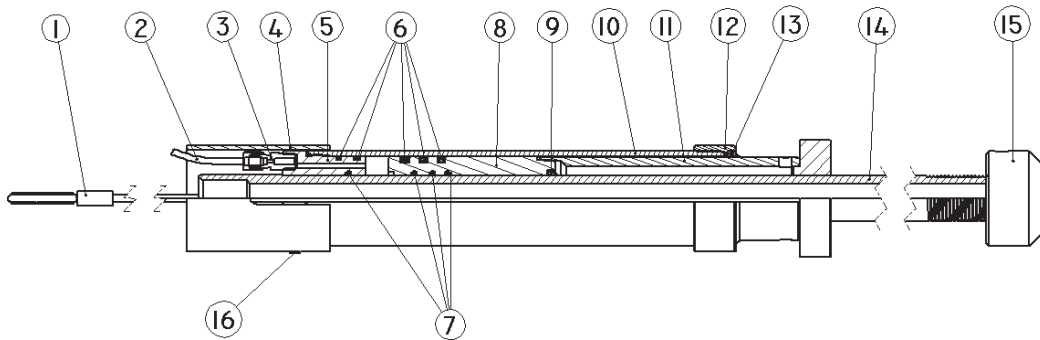
Odex	Lenght,m	Product No.
115	3	22-1056
140	3	22-1057
165	3	22-1058
190	3	22-1059
215	3	22-1060
240	3	22-1061
240	6	22-1082
280	3	22-1082



Item.	Description	Quantity	Product No.
	<b>K 700, Basic unit</b>		18-1001
	Rek. arbetsområde 105-165 mm		
	Rec range of work 105-165 mm		
	1" anslutning uppåt		
	Connection 1" Box thread upwards		
1	Vajer hängslse / Safety cable set	1	12-1206
2	Hydraulslang / Hydraulic Hose	1	Utrustn. / Access.
3	Nippel / Nipple	1	56-1017
4	Stenfång / Stone collector	1	18-1205
5	O-Ring 64x3	2	56-1010
6	Gavel / Gable	1	18-1204
7	O-Ring 59,2x5,7	3	56-1011
8	O-Ring 38x4	3	56-1012
9	Kolv / Piston OD 70 mm	1	18-1200
10	Cylinder	1	18-1203
11	Avstryckare / Stripper 38/48x7/10	1	56-1008
12	Kolvförlängare / Piston extension	1	18-1202
13	Hållare avstryckare / Stripper holder	1	18-1207
14	Avstryckare / Stripper 70/80x7/10	1	56-1009
15	Kolvstång / Piston rod OD 38x25 mm	1	18-1201
16	Spetsmutter / Nut	1	18-1208
17	Skruv / Screw M8x15	1	56-1034



Item.	Description	Quantity	Product No.
	<b>K 700D, Basic unit</b>		18-1002
	Rek. arbetsområde 105-165 mm		
	Rec range of work 105-165 mm		
	1" anslutning uppåt		
	Connection 1" Box thread upwards		
1	Hydraulmanchett / Packer K700	1	18-1001
2	Distansrör / Distans tube	1	18-1223
3	Skravmuff / Connection box	1	18-1205
4	Kolvstångsförlängare / Piston rod extension	1	56-1010
5	Spetsmutter / Cap nut	1	18-1204



Item.	Description	Qty	Product No.
	<b>K 900 Basic</b>		18-1004
	Enkelverkande hydraulik		
	Rek. Arbetsområde dia. 140-254 mm		
	1 1/2" Box anslutning uppåt		
	Single acting hydraulic		
	Rec. Range of work Dia. 140-254 mm		
	Connection 1 1/2" Box thread upwards		
1	Vajerhänglse / safety cable set	1	18-1306
2	Hydraulslang / Hydraulic hose	1	Utrustn./ Acces.
3	Nippel / Nipple	1	56-1017
4	Stenfång / Stone collector	1	18-1305
5	Gavel / Gable	1	18-1304
6	O-Ring 90x5	5	56-1018
7	O-Ring 60x5	4	56-1019
8	Kolv / Piston OD 100 mm	1	18-1300
9	Avstryckare / Stripper 60/74/7	1	56-1020
10	Cylinder	1	18-1303
11	Kolvförlängare / Piston extension	1	18-1302
12	Hållare / Stripper holder	1	18-1307
13	Avstryckare / Stripper 100/110x7/10	1	56-1021
14	Kolvstång / Piston rod OD 60x40 mm	1	18-1301
15	Ändmutter / Nut	1	18-1308
16	Skruv / Screw M8x15	1	56-1034

**Hydraulisk tryckmanchett, tillbehör**
**Hydraulic packer, accessories**

Description	Product No.	Product No.
<b>For Packer K 700 - K700D</b>	<b>Gummi (4st)</b>	<b>Ändbricka (2st)</b>
<b>Hål diam. / Hole Diam.</b>	<b>Expanding seal (4psc)</b>	<b>End washer (2 psc)</b>
105 mm	18-1030	18-1070
115 mm	18-1031	18-1071
130 mm	18-1032	18-1072
140 mm	18-1033	18-1073
156 mm	18-1034	18-1074
165 mm	18-1035	18-1075
203 mm	18-1042	18-1081
<b>For Packer K 900</b>	<b>Gummi (4st)</b>	<b>Ändbricka (2st)</b>
<b>Hål diam. / Hole Diam.</b>	<b>Expanding seal (4psc)</b>	<b>End washer (2 psc)</b>
140 mm	18-1041	18-1080
156 mm	18-1036	18-1076
165 mm	18-1037	18-1077
203 mm	18-1038	18-1078
254 mm	18-1039	18-1079
<b>Hydraulslang / Hydraulic hose</b>		
30 m		18-1090
40 m		18-1094
50 m		18-1089
70 m		18-1096
100 m		18-1095
Hydraulolja / Hydraulic oil , 1 liter		18-1093
Hydraulpump kompl. / Hydraulic pump compl.		18-1091
Reparationssats för hydraulpump / Repair kit for hydraulic pump		18-1101
Ventilpaket kompl. / Valve unit complete, Max tryck/pressure 315 bar		18-1092
Reparationssatser / Repair kit		
K 700 , K700D		18-1100
K 900		18-1104



---

---

---

---

---

---

---

---

---

---

---

---

---

---

---

---

---

---

---

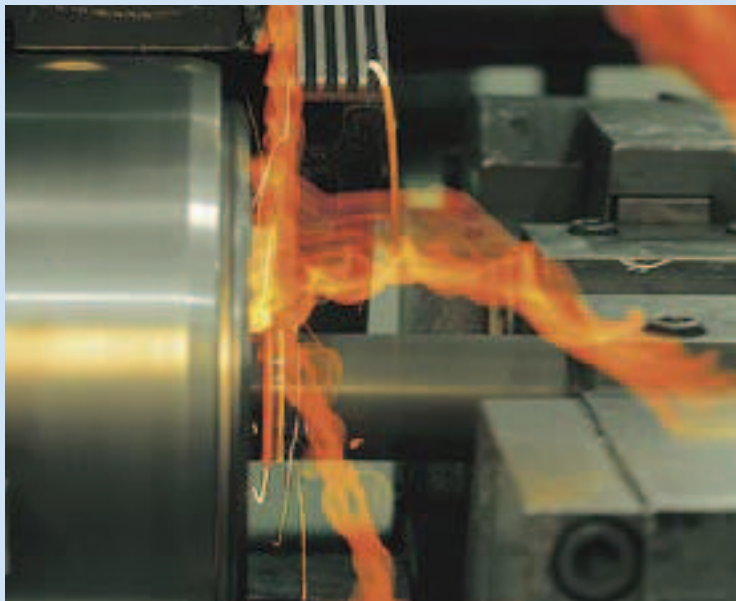
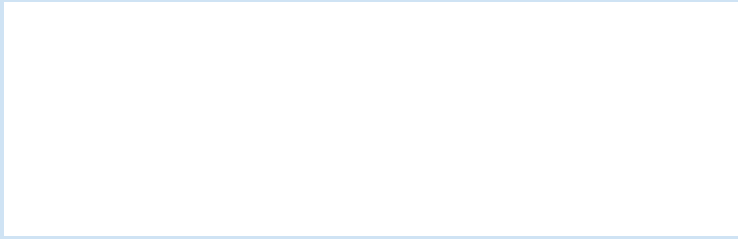
---

---

---

---

---



**DRICONEQ**